

Instruction manual  
Инструкция по эксплуатации

Vacuum cleaner BR4222  
Пылесос BR4222



**СОДЕРЖАНИЕ**

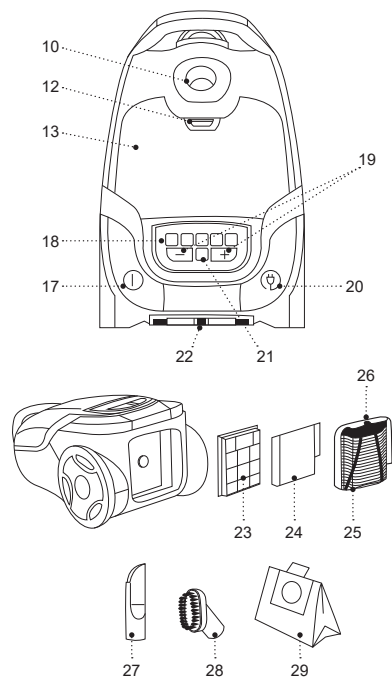
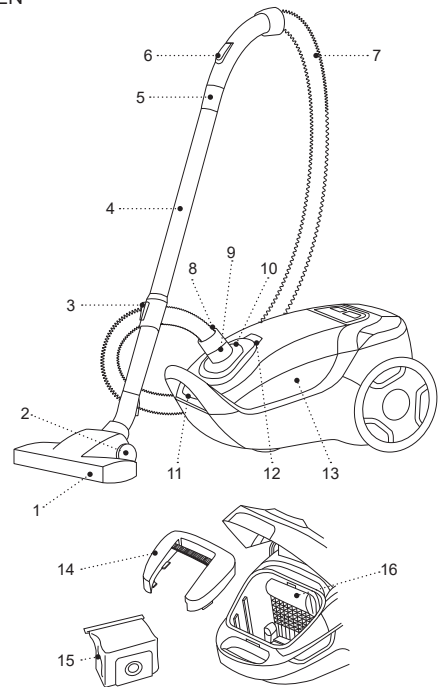
EN.....	3
DE.....	12
RU.....	22
KZ.....	32

**VACUUM CLEANER BR4222**

The vacuum cleaner is intended for dry cleaning of rooms.

**DESCRIPTION**

1. Universal pneumatic brush
2. Brush wheels
3. Telescopic pipe lock
4. Telescopic extension pipe
5. Flexible hose handle
6. Manual suction power control
7. Flexible hose
8. Flexible hose ending
9. Ending locks
10. Air inlet
11. Dustbag compartment lid clamp
12. Attachment compartment lid clamp
13. Dustbag compartment lid
14. Dustbag holder
15. Dustbag
16. Inlet filter
17. Vacuum cleaner on/off button
18. Display
19. Suction power control buttons «-/+»
20. Power cord winding button
21. Full dustbag indicator
22. Brush storage
23. Outlet HEPA filter
24. Foam filter
25. Outlet filter grid
26. Grid clamps
27. Crevice nozzle
28. Furniture brush
29. Disposable paper dustbag



Pic. 1



Pic. 2



Pic. 3



Pic. 4



Pic. 5



Pic. 6



Pic. 7



Pic. 8



Pic. 9



Pic. 10



Pic. 11

## SAFETY MEASURES AND OPERATION RECOMMENDATIONS

Read the operation manual carefully before using the vacuum cleaner; after reading, keep it for future reference.

- Use the unit for its intended purpose only, as it is stated in this manual.
- Mishandling the unit can lead to its breakage and cause harm to the user or damage to the user's property, which is not covered by warranty.
- Make sure that the operating voltage of the unit indicated on the label corresponds to your home mains voltage.
- To avoid fire, do not use plug adapters for connecting the vacuum cleaner to the mains.
- Do not touch the vacuum cleaner body, the power cord and the power plug with wet hands.
- Do not use the vacuum cleaner if the dust bin is not installed or installed improperly, or if the inlet and outlet filters are not installed.
- Use only the parts and attachments supplied with the unit.
- Never leave the unit connected to the mains unattended.
- Do not use the vacuum cleaner outdoors.
- It is not recommended to use the unit during lightning storms.
- Protect the unit from impacts, falling, vibrations and other mechanical stress.

- Do not use the unit near heating appliances, heat sources or open flame.
- Do not use the vacuum cleaner in places where aerosols are used or sprayed, and in proximity to highly inflammable liquids; do not use the vacuum cleaner in the places where such liquids are stored.
- The vacuum cleaner is not intended for collecting water or other liquids.
- Do not use the vacuum cleaner for collecting burning or smoking cigarettes or cinders.
- Do not use the vacuum cleaner for collecting dust of plaster, concrete, flour or ashes.
- Do not use the vacuum cleaner to clean your pets' fur.
- Keep free hanging clothes, hair and other parts of your body away from the air inlets of the brush or the attachments while room cleaning.
- Do not cover the inlets and outlets of the vacuum cleaner with any foreign objects. Do not switch the vacuum cleaner on if any of its openings is blocked.
- Do not run over the power cord with the vacuum cleaner while room cleaning to avoid damaging it.
- Do not use the power cord as a handle for carrying the vacuum cleaner; carry it by the handle.
- Regularly clean the dust bin and the filters of the vacuum cleaner.
- After you finish using the vacuum cleaner or before cleaning it, switch the unit off with the on/off button and unplug it.
- When unplugging the vacuum cleaner, hold the power plug and carefully remove it from the mains socket, do

not pull the power cord, as this can lead to its damage and cause a short circuit.

- For children safety reasons do not leave polyethylene bags used as a packaging unattended.

**Attention!** Do not allow children to play with polyethylene bags or packaging film. **Danger of suffocation!**

- The unit is not intended for usage by children.
- Do not leave children unattended to prevent using the unit as a toy.
- Do not allow children to touch the operating surface, the unit body, the power cord or the power plug during operation of the unit.
- Be especially careful if children or disabled persons are near the operating unit.
- During the unit operation and breaks between operation cycles, place the unit out of reach of children.
- The unit is not intended for usage by physically or mentally disabled persons (including children) or by persons lacking experience or knowledge if they are not under supervision of a person who is responsible for their safety or if they are not instructed by this person on the usage of the unit.
- From time to time check the power cord insulation.
- If the power cord is damaged, it should be replaced by the manufacturer, a maintenance service or similar qualified personnel to avoid danger.
- Do not repair the unit by yourself. Do not disassemble the unit by yourself; if any malfunction is detected, and

after the unit has been dropped, unplug it and apply to the service center.

- To avoid damage, transport the unit in the original package.
- Keep the unit in a dry cool place out of reach of children and disabled persons.

**THE UNIT IS INTENDED FOR HOUSEHOLD USE ONLY, DO NOT USE THE UNIT FOR COMMERCIAL OR LABORATORY PURPOSES.**

### BEFORE THE FIRST USE

**After the unit's transportation or storage at negative temperature, unpack it and wait for at least 3 hours before using it.**

- Unpack the unit and remove all the packaging materials.
- Keep the original package.
- Read the safety measures and operating recommendations.
- Check the delivery set.
- Examine the unit for damages, in case of damage do not plug it into the mains.
- Make sure that the given specifications of supply voltage of the unit correspond to the specifications of your mains. When the unit is used with the mains with 60 Hz frequency, no additional action is necessary.

## USING THE ATTACHMENTS

### Universal pneumatic brush (1)

Universal brush is suitable for all surfaces.

### Crevice nozzle (27)

The nozzle (27) is used for cleaning radiators, chinks or spaces between cushions.

### Furniture brush (28)

Use the attachment (28) to clean the furniture upholstery.

### Attachment compartment

Press the attachment compartment lid clamp (12) and open the lid. After use place the attachment in the compartment and close the lid until the clamp (12) snaps.

## ASSEMBLING THE VACUUM CLEANER

### Attaching and removing the flexible hose (7)

- Insert the flexible hose (7) ending (8) into the air inlet (10) until the locks (9) catch.
- To remove the flexible hose (7), press the locks (9) and detach the ending (8) from the air inlet (10) (pic. 1).

### Attaching the telescopic pipe (4) and the attachments

- Attach the telescopic extension pipe (4) to the flexible hose handle (5) (pic. 2).
- Extend the lower part of the telescopic extension pipe (4) to the required length, having preliminarily pressed the lock (3) (pic. 2).

- Choose the desired attachment – floor/carpet brush (1), crevice nozzle (27) or upholstery attachment (28) – and attach it to the telescopic extension pipe (4).
- You can attach the attachments (27 and 28) to the flexible hose handle.

### ATTENTION!

- Do not use the vacuum cleaner in places where aerosols are used or sprayed and in proximity to highly inflammable liquids, do not use the vacuum cleaner in the places where such liquids are stored.
- The vacuum cleaner is not intended for collecting water or any other liquids; do not use it for collecting burning or smoking cigarettes or cinders.
- Do not use the vacuum cleaner for collecting dust of plaster, concrete, flour or ashes.
- Take sharp objects away from the floor before cleaning to prevent damage to the unit.
- If the suction power of the vacuum cleaner decreases rapidly while cleaning, switch it off immediately, unplug it and check the telescopic pipe (4) or the flexible hose (7) for obstruction. Remove the obstruction, after that you can resume cleaning.

## USING THE VACUUM CLEANER

**Attention!** You can turn the vacuum cleaner on only with the installed dustbag (15 or the disposable paper dustbag (29), as well as with the inlet filter (16) and the outlet HEPA filter (23) and the foam filter (24).

- Before cleaning always make sure that the filters (16, 23, 24) are installed properly.
- Take the power plug and unwind the power cord to the required length, connect the power plug to the mains socket.
- The yellow mark on the power cord indicates the maximum cord length. Do not pull out the power cord further than the red mark.
- Press the on/off button (17) to switch the vacuum cleaner on (pic. 4).
- While cleaning, you can control the suction power using the manual suction power control (6) on the flexible hose handle (5) and with the suction power control buttons (19) «-/+» (pic. 5) on the display (17) will show the optimum suction power ratio and the surface type for cleaning (pic. 6).



- minimum power level



- optimal power for cleaning curtains, etc.



- high suction power and low noise level



- carpets cleaning



- maximum suction power, extremely dirty floors and carpets cleaning

- After you finish cleaning, switch the vacuum cleaner off by pressing the on/off button (17) and unplug it.
- To wind the power cord, press the button (20); keep a hold of the winding cord with your hand (pic. 7).

- If you have to make a break during the cleaning, switch the vacuum cleaner off by pressing the button (17) and install the brush (1) to the brush storage (22).

### ATTENTION!

**Before changing the attachments or cleaning the dust bin (15), switch the vacuum cleaner off by pressing the on/off button (17) and unplug it.**

## CLEANING AND MAINTENANCE

### Cleaning the dustbag (15)

- If during cleaning the full dustbag indicator (21) lights up, empty the dustbag (15) or replace the disposable paper dustbag (29).
- Note:** the paper dustbag (29) is disposable, when the dustbag (29) is full, dispose of it.
- Before cleaning the dustbag (15), switch the vacuum cleaner off by pressing the on/off button (17) and unplug it.
- Open the dustbag compartment lid (13) by pressing the lid lock (11) (pic. 8).
- Remove the dustbag holder (14) with the dustbag (15) (pic. 9).
- Take the dustbag (15) out from the holder (14).
- Place the dustbag (15) above the garbage bin, remove the plastic clamp and clean the dustbag (15) of garbage and dust. You can wash the dustbag (15) with warm water and soft detergent, rinse and dry thoroughly. After that install the plastic clamp on the dustbag (15).

- Install the dustbag (15) into the holder (14).
- Put the dustbag holder (14) with the dustbag (15) installed into the dustbag compartment body.
- Close the dustbag compartment lid (13) and slightly press on the lid (13) until the lock (11) clicks.

**Notes:**

- do not try to close the lid (13) without the dustbag holder (14) installed, otherwise you can damage the lock or the lid (13);
- before closing the lid (13), always make sure that the dustbag holder (14) and the dustbag (15 or disposable paper dustbag 29) are installed properly.

**Cleaning the filters**

The vacuum cleaner operation efficiency depends on the filters (16, 23, 24) condition. Clean the filters (16, 23, 24) at least 4-5 times a year.

**Cleaning the inlet filter (16)**

- Switch the vacuum cleaner off by pressing the on/off button (17) and unplug it.
- Open the dustbag compartment lid (13) by pressing the lid lock (11) (pic. 8).
- Remove the dustbag holder (14) with the dustbag (15) (pic. 9).
- Take a hold of the inlet filter (16) and remove it by pulling upwards (pic. 10).
- Wash the inlet filter (16) with warm water and soft detergent, rinse and dry the filter (16) thoroughly, then install the filter (16) back to its place.

**Notes:** before installing the inlet filter (16), make sure that it is clean and dry.

- Install the dustbag holder (14) with the installed dustbag (15 or disposable paper dustbag 29) in place.
- Close the dustbag compartment lid (13) and slightly press on the lid (13) until the lock (11) clicks.

**Outlet HEPA filter (23) and the foam filter (24) cleaning**

- Switch the vacuum cleaner off by pressing the on/off button (17) and unplug it.
- Remove the outlet filter grid (25) by pressing the clamps (26) (fig. 11), take the HEPA filter (23) and the foam filter (24) out.
- Wash the HEPA filter (23), the foam filter (24) and the grid (25) under a lukewarm water jet; do not wash the HEPA filter (23), the foam filter (24) and the grid (25) in a dishwashing machine.
- Dry the HEPA filter (23) and the foam filter (24).
- Do not use a hair dryer or any other similar devices to dry the HEPA filter (23) and the foam filter (24).
- Place the HEPA filter (23) and the foam filter (24) back to their places.
- Install the outlet filter grid (25) back to its place.

**Note:** before installing the HEPA filter (23) and the foam filter (24) make sure they are clean and dry.

**Vacuum cleaner body**

- Clean the vacuum cleaner body with a soft, slightly damp cloth, and then wipe it dry. Provide that no liquid gets inside the vacuum cleaner body.

- Do not use solvents or abrasives for cleaning the vacuum cleaner body and the attachments.
- Do not immerse the vacuum cleaner body, the power cord and the power plug into water or any other liquids.

**OVERHEATING PROTECTION**

- If the electric motor gets too hot during the operation, the overheating protection system will be set off.
- If during cleaning the vacuum cleaner has switched off, press the on/off button (17) and unplug the unit.
- Let the vacuum cleaner cool down for 30-40 minutes and switch it on again. The cool-down time can differ from the given value, depending on the room temperature.
- If the vacuum cleaner does not switch on, it may be caused by another malfunction. In this case apply to a service center.

**STORAGE**

- Before a long-period storage of the the vacuum cleaner clean the vacuum cleaner body, the dustbag (15), the HEPA filter (23), the foam filter (24) and the inlet filter (16).
- For easy storing of the vacuum cleaner, use the brush storage (22).
- Store attachments in the attachment compartment.
- Keep the vacuum cleaner in a dry cool place out of reach of children and disabled persons.

**DELIVERY SET**

1. Vacuum cleaner with the dust bin and filters installed – 1 pc.
2. Flexible hose – 1 pc.
3. Telescopic extension pipe – 1 pc.
4. Universal pneumatic brush – 1 pc.
5. Crevice nozzle – 1 pc.
6. Furniture/furniture upholstery brush - 1 pc.
7. Disposable paper dustbags – 3 pcs.
8. Instruction manual – 1 pc.

**SPECIFICATIONS**

- Power supply: 220-240 V ~ 60 Hz
- Rated input power: 2200 W
- Suction power: 450 W
- Dustbag capacity – 4 l

**RECYCLING**

To prevent possible damage to the environment or harm to the health of people by uncontrolled waste disposal, after expiration of the service life of the unit or the batteries (if included), do not discard them with usual household waste,

but take the unit and the batteries to specialized stations for further recycling.

The waste generated during the recycling of the unit is subject to mandatory collection and consequent recycling in the prescribed manner.

For further information about recycling of this product, apply to the local municipal administration, a household waste recycling service or to the shop where you purchased this product.

The manufacturer reserves the right to change the appearance, design and specifications not affecting the general operation principles of the unit, without prior notice.

**The unit operating life is 3 years**

The manufacturing date is specified in the serial number.

In case of any malfunctions, promptly apply to the authorized service center.

**STAUBSAUGER BR4222**

Der Staubsauger ist zur Trockenreinigung bestimmt.

**BESCHREIBUNG**

- |   |   |
|---|---|
| <ol style="list-style-type: none"> <li>1. Universelle pneumatische Bürste</li> <li>2. Bürsten-Räder</li> <li>3. Teleskoprohrarretierung</li> <li>4. Teleskopverlängerungsrohr</li> <li>5. Griff des biegsamen Schlauchs</li> <li>6. Saugleistungshandregler</li> <li>7. Biegsamer Schlauch</li> <li>8. Endstück des biegsamen Schlauchs</li> <li>9. Endstücksperrin</li> <li>10. Lufteinlassöffnung</li> <li>11. Staubbeuteldeckelverriegelung</li> <li>12. Aufsatzfachdeckelverriegelung</li> <li>13. Deckel des Staubbeutel-faches</li> <li>14. Staubbeutelhalter</li> <li>15. Staubbeutel</li> <li>16. Einlassfilter</li> <li>17. Ein-/Ausschalttaste des Staubsaugers</li> <li>18. Bildschirm</li> <li>19. Saugleistungseinstelltasten «-/+»</li> <li>20. Kabelaufwicklungstaste</li> <li>21. Staubbeutelfüllanzeige</li> <li>22. Bürstenaufbewahrungsstelle</li> <li>23. HEPA-Auslassfilter</li> </ol> | <ol style="list-style-type: none"> <li>24. Schaumstofffilter</li> <li>25. Auslassfiltergitter</li> <li>26. Gitterverriegelungen</li> <li>27. Fugendüse</li> <li>28. Polsterbürste</li> <li>29. Einwegpapierstaubbeutel</li> </ol> |
|---|---|

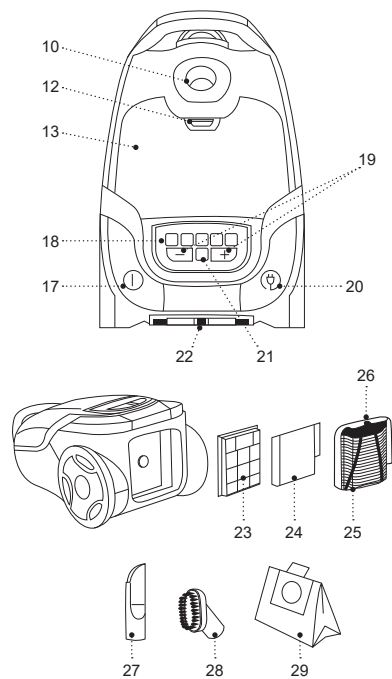
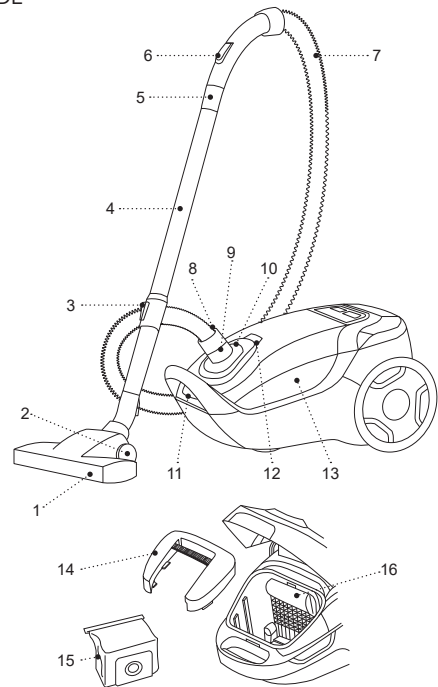


Abb. 1



Abb. 2



Abb. 3



Abb. 4



Abb. 5



Abb. 6



Abb. 7



Abb. 8



Abb. 9



Abb. 10



Abb. 11



## SICHERHEITSHINWEISE UND BEDIENUNGSANLEITUNG

**Bevor Sie den Staubsauger benutzen, lesen Sie die Bedienungsanleitung aufmerksam durch und bewahren Sie sie zum späteren Gebrauch auf.**

- Benutzen Sie das Gerät nur bestimmungsmäßig und laut dieser Bedienungsanleitung.
- Missbrauch des Geräts kann zu seiner Störung führen, den Benutzer oder sein Eigentum beschädigen und ist kein Garantiefall.
- Vergewissern Sie sich, dass die auf dem Bezeichnungszettel angegebene Betriebsspannung und die Netzspannung übereinstimmen.
- Um Brandgefahr zu vermeiden, verwenden Sie keine Steckdosenadapter, wenn Sie den Staubsauger an eine Steckdose anschließen.
- Berühren Sie das Staubsaugergehäuse, das Netzkabel und den Netzstecker mit nassen Händen nicht.
- Verwenden Sie den Staubsauger nicht, wenn der Staubbehälter nicht oder falsch aufgestellt ist oder ein Einlass- oder Auslassfilter nicht installiert ist.
- Benutzen Sie nur die mitgelieferten Teile und Aufsätze.
- Lassen Sie das ans Stromnetz angeschlossene Gerät nie unbeaufsichtigt.
- Es ist nicht gestattet, den Staubsauger draußen zu benutzen.
- Es ist nicht empfohlen, das Gerät bei Gewitter zu benutzen.

- Schützen Sie das Gerät vor Stößen, Stürzen, Vibrationen und anderen mechanischen Einwirkungen.
- Benutzen Sie das Gerät in direkter Nähe von Heizgeräten, Wärmequellen oder offenem Feuer nicht.
- Der Staubsauger darf nicht an Orten, an denen Aerosole benutzt oder versprüht werden, und auch in keiner Nähe von brennbaren Flüssigkeiten verwendet werden; verwenden Sie den Staubsauger nicht an Orten, an denen solche Flüssigkeiten aufbewahrt werden.
- Der Staubsauger ist zum Saugen von Wasser oder anderen Flüssigkeiten ungeeignet.
- Es ist verboten, brennende oder rauchende Zigaretten und schwelende Asche zu saugen.
- Es ist verboten, Putz-, Beton-, Mehl- oder Aschenstaub zu saugen.
- Verwenden Sie keinen Staubsauger, um den Pelz der Haustiere zu reinigen.
- Achten Sie beim Raumreinigen darauf, dass sich keine freihängenden Kleidungsstücke, Haar oder andere Körperteile in der Nähe der Lufteinlassöffnungen der Bürsten- oder Aufsätze befinden.
- Bedecken Sie die Einlass- und Auslassöffnung des Staubsaugers mit keinen Fremdkörpern, schalten Sie den Staubsauger nicht ein, wenn eine seiner Öffnungen versperrt ist.
- Um eine Netzkabelbeschädigung zu vermeiden, fahren Sie den Staubsauger während der Reinigung übers Netzkabel nicht.

- Verwenden Sie das Netzkabel als Griff zum Tragen des Staubsaugers nicht, sondern tragen Sie den Staubsauger am Tragegriff.
- Reinigen Sie den Staubbehälter und die Staubsaugerfilter regelmäßig.
- Schalten Sie den Staubsauger nach dem Gebrauch oder vor dem Reinigen mit der Ein-/Ausschalttaste aus und ziehen Sie den Netzstecker aus der Steckdose heraus.
- Wenn Sie den Staubsauger vom Stromnetz abtrennen, halten Sie den Netzstecker fest und ziehen Sie ihn aus der Steckdose vorsichtig heraus; ziehen Sie das Netzkabel nicht, da es zu seiner Beschädigung und einem Kurzschluss führen kann.
- Aus Kindersicherheitsgründen lassen Sie die als Verpackung verwendeten Plastiktüten nie ohne Aufsicht.

**Achtung!** Lassen Sie Kinder mit Plastiktüten oder Verpackungsfolien nicht spielen. **Erstickungsgefahr!**

- Das Gerät ist nicht für Kinder bestimmt.
- Beaufsichtigen Sie Kinder, damit sie das Gerät als Spielzeug nicht benutzen.
- Lassen Sie Kinder die Arbeitsfläche, das Gerätegehäuse, das Netzkabel oder den Netzstecker während des Gerätebetriebs nicht berühren.
- Besondere Vorsichtsmaßnahmen sind in den Fällen angesagt, wenn sich Kinder oder behinderte Personen während des Gerätebetriebs in der Nähe aufhalten.

- Während des Betriebs und der Pausen zwischen den Betriebszyklen stellen Sie das Gerät an einen für Kinder unzugänglichen Ort auf.
- Das Gerät ist für Personen (darunter Kinder) mit Körper-, Nerven- oder Geistesstörungen oder Personen ohne ausreichende Erfahrung und Kenntnisse nicht geeignet, wenn sie sich unter Aufsicht der Person, die für ihre Sicherheit verantwortlich ist, nicht befinden oder entsprechende Anweisungen über die Gerätenutzung nicht bekommen haben.
- Prüfen Sie die Netzkabelisolierung periodisch.
- Wenn das Netzkabel beschädigt ist, soll es vom Hersteller, vom Kundendienst oder von ähnlich qualifiziertem Personal ersetzt werden, um Gefahren zu vermeiden.
- Es ist nicht gestattet, das Gerät selbständig zu reparieren. Es ist nicht gestattet, das Gerät selbständig auseinanderzunehmen; bei der Feststellung jeglicher Beschädigungen, sowie im Sturzfall, trennen Sie das Gerät vom Stromnetz ab und wenden Sie sich an einen Kundendienst.
- Um Beschädigungen zu vermeiden, transportieren Sie das Gerät nur in der Fabrikverpackung.
- Bewahren Sie das Gerät an einem trockenen, kühlen und für Kinder und behinderte Personen unzugänglichen Ort auf.

**DAS GERÄT IST NUR FÜR DEN GEBRAUCH IM HAUSHALT GEEIGNET, ES IST VERBOTEN, DAS GERÄT ZU INDUSTRIE- ODER LABORZWECKEN ZU BENUTZEN.**

**VOR DER ERSTEN NUTZUNG**

**Packen Sie das Gerät aus und warten Sie mindestens 3 Stunden, nachdem Sie es bei einer negativen Temperatur transportiert oder bewahrt haben.**

- Packen Sie das Gerät aus und entfernen Sie alle Verpackungsmaterialien.
- Bewahren Sie die Originalverpackung auf.
- Lesen Sie die Sicherheitsmaßnahmen und Bedienungsempfehlungen.
- Prüfen Sie den Lieferumfang.
- Prüfen Sie das Gerät auf Beschädigungen; wenn es beschädigt ist, schließen Sie es ans Stromnetz nicht an.
- Vergewissern Sie sich, dass die angegebenen Parameter der Geräteversorgungsspannung und die Stromnetzparameter übereinstimmen. Beim 60-Hz-Stromnetz-Gerätebetrieb sind keine zusätzlichen Maßnahmen erforderlich.

**NUTZUNG DER AUFSÄTZE**

**Universelle pneumatische Bürste (1)**

Die Universalbürste eignet sich für alle Oberfläche.

**Fugendüse (27)**

Die Fugendüse (27) ist zur Reinigung von Radiatoren, Spalten oder dem Raum zwischen Sofakissen verwendet.

**Möbel- (28)**

Verwenden Sie den Aufsatz (28), um den Polsterstoff zu reinigen.

**Aufsatzfach**

Drücken Sie die Verriegelung (12) des Aufsatzfachdeckels und machen Sie den Deckel auf. Legen Sie den Aufsatz nach dem Gebrauch ins Fach ein und machen Sie den Deckel zu, bis die Verriegelung (12) einrastet.

**ZUSAMMENBAU DES STAUBSAUGERS**

**Anschließen und Abnehmen des biegsamen Schlauchs (7)**

- Setzen Sie das Endstück (8) des biegsamen Schlauchs (7) in die Lufteinlassöffnung (10) bis zum Einrasten der Sperren ein.
- Zum Abnehmen des biegsamen Schlauchs (7) drücken Sie die Sperren (9) und nehmen Sie das Endstück (8) aus der Lufteinlassöffnung (10) heraus (Abb. 1).

**Anschließen des Teleskoprohrs (4) und der Aufsätze**

- Schließen Sie das Teleskopverlängerungsrohr (4) an den Griff des biegsamen Schlauchs (5) an (Abb. 1).

- Schieben Sie den Unterteil des Teleskoprohrs (4) auf die notwendige Länge aus, drücken Sie vorher die Arretierung (3).
- Wählen Sie den gewünschten Aufsatz – Boden-/Teppichbürste (1), Fugendüse (27) oder Möbelpolsterbürste (28) und schließen Sie ihn zum Teleskopverlängerungsrohr (4) an.
- Die Aufsätze (27 und 28) können am Griff des biegsamen Schlauchs befestigt werden.

**ACHTUNG!**

- Der Staubsauger darf an keinen Orten, an denen Aerosole benutzt oder versprüht werden, und auch in keiner Nähe von brennbaren Flüssigkeiten verwendet werden; verwenden Sie den Staubsauger an keinen Orten, an denen solche Flüssigkeiten aufbewahrt werden.
- Der Staubsauger ist zum Saugen von Wasser oder anderen Flüssigkeiten nicht geeignet, es ist verboten, brennende oder rauchende Zigaretten oder schwelende Asche zu saugen.
- Es ist verboten, Putz-, Beton-, Mehl- oder Aschenstaub zu saugen.
- Vor dem Aufräumen nehmen Sie scharfe Gegenstände vom Boden weg, um die Gerätebeschädigung zu vermeiden.
- Wenn die Saugleistung des Staubsaugers während der Reinigung stark abnimmt, schalten Sie ihn sofort aus und ziehen Sie den Netzstecker aus der Steckdose

heraus, prüfen Sie das Teleskoprohr (4) oder den Schlauch (7) auf Verstopfung, entfernen Sie die Verstopfung und dann setzen Sie die Reinigung fort.

**NUTZUNG DES STAUBSAUGERS**

**Achtung!**

- Der Staubsauger kann nur mit dem eingesetzten Staubbeutel (15 oder dem Einwegpapierstaubbeutel (29) sowie dem Einlassfilter (16) und dem HEPA-Auslassfilter (23) und dem Schaumstofffilter (24) eingeschaltet werden.
- Überprüfen Sie immer vor dem Aufräumen, ob die Filter (16, 23, 24) richtig aufgestellt sind.
- Fassen Sie den Netzstecker und ziehen Sie das Netzkabel auf die gewünschte Länge heraus, stecken Sie das Netzkabel in eine Steckdose ein.
- Das gelbe Zeichen am Netzkabel zeigt die maximale Netzkabellänge an. Ziehen Sie das Netzkabel übers rote Zeichen nicht heraus.
- Um den Staubsauger einzuschalten, drücken Sie die Ein-/Ausschalttaste (17) (Abb. 4).
- Während des Aufräumens können Sie die Saugleistung mit dem Saugleistungshandregler (6) einstellen, der sich am Griff des biegsamen Schlauchs (5) befindet und mit den Saugleistungseinstelltasten (19) «-/+» (Abb. 5), dabei wird die Saugleistung auf dem Bildschirm (18) angezeigt, das optimale Verhältnis der Saugleistung und der aufzuräumende Oberflächentyp (Abb. 6).



- Mindestleistung



- Optimalleistung zum Reinigen von Vorhängen usw.



- hohe Saugleistung und niedriger Geräuschpegel



- Reinigen von Teppichen und Teppichböden



- maximale Saugleistung, Reinigen von stark verschmutzten Böden, Teppichen oder Teppichböden

- Schalten Sie den Staubsauger nach dem Aufräumen mit der Ein-/Ausschalttaste (17) aus und ziehen Sie den Netzstecker aus der Steckdose heraus.
- Um das Netzkabel aufzuwickeln, drücken Sie die Taste (20), halten Sie das aufwickelnde Netzkabel zurück.
- Wenn Sie während der Reinigung eine Pause machen möchten, schalten Sie den Staubsauger mit der Taste (17) aus und setzen Sie die Bürste (1) in die Bürstenaufbewahrungsstelle (22) ein.

**ACHTUNG! Bevor Sie die Aufsätze wechseln oder den Staubbehälter (15) reinigen, schalten Sie den Staubsauger mit der Ein-/Ausschalttaste (17) aus und ziehen Sie den Netzstecker aus der Steckdose heraus.**

## REINIGUNG UND PFLEGE

### Reinigung des Staubbeutels (15)

- Wenn die Staubbeutelfüllanzeige (21) während der Reinigung aufleuchtet, müssen Sie den Staubbeutel

(15) leeren oder den Einwegpapierstaubbeutel (29) ersetzen.

**Anmerkung:** der Papierstaubbeutel (29) ist ein Einmalartikel und muss beim Befüllen des Staubbeutels (29) entsorgt werden.

- Vor dem Reinigen des Staubbeutels (15) schalten Sie den Staubsauger durchs Drücken der Ein-/Ausschalttaste (17) aus und ziehen Sie den Netzstecker aus der Steckdose heraus.
- Öffnen Sie den Deckel des Staubbeutel-faches (13), indem Sie die Deckelsperre (11) drücken (Abb. 8).
- Nehmen Sie den Staubbeutelhalter (14) zusammen mit dem Staubbeutel (15) heraus (Abb. 9).
- Nehmen Sie den Staubbeutel (15) aus dem Halter (14) heraus.
- Platzieren Sie den Staubbeutel (15) über dem Abfalleimer, entfernen Sie die Plastikklammer und entfernen Sie Staub und Unrat vom Staubbeutel (15). Sie können den Staubbeutel (15) mit Warmwasser und einem milden Reinigungsmittel und dann nur mit Wasser abspülen und gründlich abtrocknen, dann setzen Sie die Plastikklammer auf den Staubbeutel (15) auf.
- Setzen Sie den Staubbeutel (15) in den Halter (14) ein.
- Stellen Sie den Staubbeutelhalter (14) mit dem eingesetzten Staubbeutel (15) ins Gehäuse des Staubbeutel-faches.

- Schließen Sie den Deckel des Staubbeutel-faches (13) und drücken Sie leicht auf den Deckel (13), bis die Sperre (11) knackt.

### Anmerkungen:

- versuchen Sie nicht, den Deckel (13) ohne aufgestellten Staubbeutelhalter (14) zu schließen, anderenfalls können Sie die Sperre oder den Deckel (13) beschädigen;
- prüfen Sie immer vor dem Schließen des Deckels (13), ob der Staubbeutelhalter (14) und der darin eingesetzte Staubbeutel (15) oder der einmaliger Papierbeutel (29) richtig eingesetzt sind.

### Filterreinigung

Die Wirksamkeit des Staubsaugers hängt vom Zustand der Filter (16, 23, 24) ab, reinigen Sie die Filter (16, 23, 24) mindestens vier- bis fünfmal im Jahr.

### Reinigung des Einlassfilters (16)

- Schalten Sie den Staubsauger aus, indem Sie die Ein-/Ausschalttaste (17) drücken, und ziehen Sie den Netzstecker aus der Steckdose heraus.
- Öffnen Sie den Deckel des Staubbeutel-faches (13), indem Sie die Deckelsperre (11) drücken (Abb. 8).
- Nehmen Sie den Staubbeutelhalter (14) zusammen mit dem Staubbeutel (15) heraus (Abb. 9).
- Fassen Sie das Einlassfilter (16) und ziehen Sie es nach oben heraus (Abb. 10).
- Spülen Sie das Einlassfilter (16) mit Warmwasser und einem milden Reinigungsmittel und dann nur mit

Wasser ab, trocknen Sie das Filter (16) gründlich ab und setzen Sie das Filter (16) zurück ein.

**Anmerkungen:** vergewissern Sie sich vor dem Aufstellen des Einlassfilters (16), dass es sauber und trocken ist.

- Setzen Sie den Staubbeutelhalter (14) mit dem eingesetzten Staubbeutel (15) oder dem einmaligen Papierbeutel (29) an seinen Platz ein.
- Schließen Sie den Deckel des Staubbeutel-faches (13) und drücken Sie leicht auf den Deckel (13), bis die Sperre (11) knackt.

### Reinigen des HEPA-Auslassfilters (23) und des Schaumstofffilters (24)

- Schalten Sie den Staubsauger aus, indem Sie die Ein-/Ausschalttaste (17) drücken, und ziehen Sie den Netzstecker aus der Steckdose heraus.
- Nehmen Sie das Auslassfiltergitter (25) durchs Drücken der Verriegelungen (26) (Abb. 11) ab, nehmen Sie das HEPA-Filter (23) und das Schaumstofffilter (24) heraus.
- Spülen Sie das HEPA-Filter (23), das Schaumstofffilter (24) und das Gitter (25) unter einem lauwarmen Wasserstrahl, verwenden Sie keine Geschirrspülmaschine zum Spülen des HEPA-Filters (23), des Schaumstofffilters (24) und des Gitters (25).
- Trocknen Sie das HEPA-Filter (23) und das Schaumstofffilter (24) ab.
- Verwenden Sie keinen Haartrockner oder ähnliche Geräte zum Trocknen des HEPA-Filters (23) und des Schaumstofffilters (24).

- Setzen Sie das HEPA-Filter (23) und das Schaumstofffilter (24) ein.
  - Stellen Sie das Auslassfiltergitter (25) zurück auf.
- Anmerkung:** stellen Sie vor dem Einsetzen des HEPA-Filter (23) und des Schaumstofffilters (24) sicher, dass diese sauber und trocken sind.

### Staubsaugergehäuse

- Wischen Sie das Staubsaugergehäuse mit einem leicht angefeuchteten Tuch ab, danach trocknen Sie es ab. Achten Sie darauf, dass keine Flüssigkeit ins Staubsaugergehäuse gelangt.
- Es ist nicht gestattet, Abrasiv- oder Lösungsmittel zur Reinigung des Staubsaugergehäuses zu benutzen.
- Tauchen Sie den Staubsauger, das Netzkabel und den Netzstecker in Wasser oder jegliche andere Flüssigkeiten nicht ein.

### ÜBERHITZUNGSSCHUTZ

- Wenn die Betriebstemperatur des Elektromotors überschritten wird, spricht das Überhitzungsschutzsystem an.
- Wenn sich der Staubsauger während des Aufräumens ausschaltet, drücken Sie die Ein-/Ausschalttaste (17) und ziehen Sie das Netzkabel aus der Steckdose heraus.
- Lassen Sie den Staubsauger 30-40 Minuten abkühlen, danach schalten Sie ihn wieder ein. Je nach Raumtemperatur kann die Abkühlzeit des Elektromotors von den angegebenen Werten abweichen.

- Wenn sich der Staubsauger nicht einschalten lässt, kann dies auf eine andere Störung zurückzuführen sein. Wenden Sie sich in diesem Fall an einen Kundendienst.

### AUFBEWAHRUNG

- Bevor Sie den Staubsauger zur Langzeitlagerung wegnehmen, reinigen Sie das Staubsaugergehäuse, den Staubbeutel (15), das HEPA-Filter (23), das Schaumstofffilter (24) und das Einlassfilter (16).
- Zwecks bequemer Aufbewahrung des Staubsaugers benutzen Sie die Bürstenaufbewahrungsstelle (22).
- Bewahren Sie die Aufsätze im Aufsatzfach auf.
- Bewahren Sie den Staubsauger an einem trockenen, kühlen und für Kinder und behinderte Personen unzugänglichen Ort auf.

### LIEFERUMFANG

1. Staubsauger mit eingesetztem Staubbehälter und Filtern – 1 Stk.
2. Biigsamer Schlauch – 1 Stk.
3. Teleskopverlängerungsrohr – 1 Stk.
4. Universelle pneumatische Bürste – 1 Stk.
5. Fugendüse – 1 Stk.
6. Möbel – 1 Stk.
7. Einmaliger papierstaubbeutel – 3 Stk.
8. Bedienungsanleitung – 1 Stk.

### TECHNISCHE EIGENSCHAFTEN

- Stromversorgung: 220-240 V, ~ 60 Hz
- Nennleistungsaufnahme: 2200 W

- Saugleistung: 450 W
- Fassungsvermögen des Staubbeutels – 4 l

### ENTSORGUNG



Um mögliches Schaden für die Umwelt oder die menschliche Gesundheit durch unkontrollierte Abfallentsorgung zu vermeiden, werfen Sie das Gerät und die Batterien (falls mitgeliefert) nach

Beendigung ihrer Nutzungsdauer zusammen mit gewöhnlichen Haushaltsabfällen nicht weg, geben Sie das Gerät und die Batterien in Spezialstellen für weitere Entsorgung über.

Die bei der Entsorgung der Erzeugnisse entstehenden Abfälle sind unbedingt zu sammeln und weiter ordnungsmäßig zu entsorgen.

Mehrere Information zur Entsorgung dieses Produkts erhalten Sie bei Ihrer lokalen Stadtverwaltung, einem Abfallentsorgungsdienst oder beim Geschäft, wo Sie dieses Produkt gekauft haben.

Der Hersteller behält sich das Recht vor, das Design, die Konstruktion und die das gemeine Gerätebetriebsprinzip nicht beeinflussenden technischen Eigenschaften ohne Vorbenachrichtigung zu verändern.

### Die Gerätenutzungsdauer beträgt 3 Jahre

Das Herstellungsdatum ist in der Fabrikationsnummer angegeben.

Bei Störungsfeststellung wenden Sie sich baldigst an einen autorisierten Kundendienst.

## ПЫЛЕСОС BR4222

Пылесос предназначен для сухой уборки помещений.

### ОПИСАНИЕ

1. Универсальная пневматическая щетка
2. Колёса щётки
3. Фиксатор телескопической трубки
4. Телескопическая удлинительная трубка
5. Ручка гибкого шланга
6. Ручной регулятор мощности всасывания
7. Гибкий шланг
8. Наконечник гибкого шланга
9. Фиксаторы наконечника
10. Воздухозаборное отверстие
11. Фиксатор крышки отсека пылесборника
12. Фиксатор крышки отсека для хранения насадок
13. Крышка отсека пылесборника
14. Держатель пылесборника
15. Пылесборник
16. Входной фильтр
17. Клавиша включения/выключения пылесоса
18. Дисплей
19. Кнопки регулировки мощности всасывания «-/+»
20. Клавиша сматывания шнура питания
21. Индикатор заполнения пылесборника
22. Место «парковки» щётки

23. Выходной HEPA-фильтр
24. Поролоновый фильтр
25. Решётка выходного фильтра
26. Фиксаторы решётки
27. Щелевая насадка
28. Щётка для чистки мебели
29. Одноразовый бумажный пылесборник

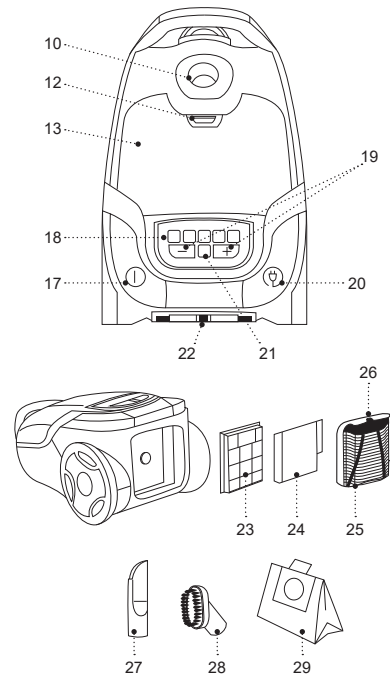
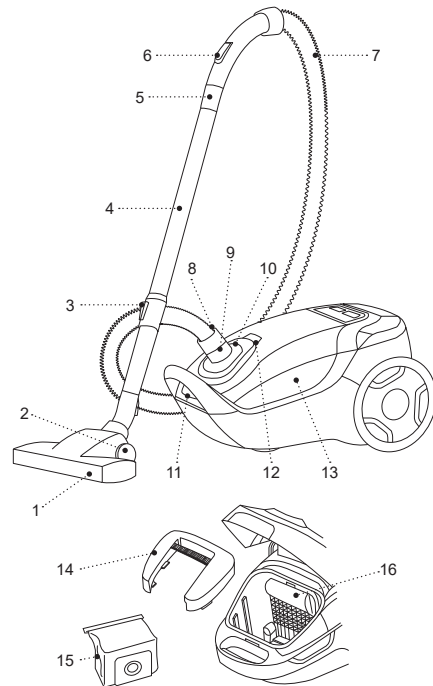




Рис. 1



Рис. 2



Рис. 3



Рис. 4



Рис. 5



Рис. 6



Рис. 7



Рис. 8



Рис. 9



Рис. 10



Рис. 11

## МЕРЫ БЕЗОПАСНОСТИ И РЕКОМЕНДАЦИИ ПО ЭКСПЛУАТАЦИИ

**Перед использованием пылесоса внимательно ознакомьтесь с руководством по эксплуатации, после прочтения сохраните его для использования в будущем.**

- Используйте устройство только по его прямому назначению, как изложено в данной инструкции.
- Неправильное обращение с устройством может привести к его поломке, причинению вреда пользователю или его имуществу и не является гарантийным случаем.
- Убедитесь, что рабочее напряжение устройства, указанное на этикетке, соответствует напряжению электросети.
- Во избежание риска возникновения пожара не используйте переходники при подключении пылесоса к электрической розетке.
- Не прикасайтесь к корпусу пылесоса, к шнуру питания и к вилке шнура питания мокрыми руками.
- Запрещается использовать пылесос, если не установлен или неправильно установлен пылесборник, не установлен входной или выходной фильтр.
- Используйте только детали и насадки, которые входят в комплект поставки.
- Не оставляйте устройство, включённое в сеть, без присмотра.
- Запрещается использовать пылесос вне помещений.

- Не рекомендуется использовать устройство во время грозы.
- Оберегайте устройство от ударов, падений, вибраций и иных механических воздействий.
- Не используйте устройство в непосредственной близости от нагревательных приборов, источников тепла или открытого пламени.
- Запрещается использовать пылесос в местах, где используются или распыляются аэрозоли, а также вблизи от легковоспламеняющихся жидкостей, запрещается использовать пылесос в местах хранения таких жидкостей.
- Пылесос не предназначен для сбора воды или любых других жидкостей.
- Запрещается собирать горячие или дымящиеся сигареты, тлеющий пепел.
- Запрещается собирать пыль от штукатурки, бетона, муки или золы.
- Не используйте пылесос для чистки шерсти домашних животных.
- Во время уборки помещения следите за тем, чтобы свободно висящие элементы одежды, волосы или другие части тела не находились рядом с воздухозаборным отверстием щётки или насадок.
- Запрещается закрывать входное и выходное отверстие пылесоса посторонними предметами, не включайте пылесос, если какое-либо из его отверстий заблокировано.

- Во избежание повреждения шнура питания запрещается во время уборки помещения переезжать пылесосом через шнур питания.
- Запрещается использовать шнур питания в качестве ручки для переноски пылесоса, переносите пылесос, взявшись за ручку для переноски.
- Проводите регулярную чистку пылесборника и фильтров пылесоса.
- После использования или перед чисткой выключите пылесос клавишей включения/выключения и выньте вилку шнура питания из электрической розетки.
- При отключении пылесоса от электрической сети держитесь за вилку шнура питания и аккуратно выньте её из электрической розетки, не тяните за шнур питания – это может привести к его повреждению и вызвать короткое замыкание.
- Из соображений безопасности детей не оставляйте полиэтиленовые пакеты, используемые в качестве упаковки, без надзора.

**Внимание!** Не разрешайте детям играть с полиэтиленовыми пакетами или упаковочной плёнкой.  
**Опасность удушья!**

- Устройство не предназначено для использования детьми.
- Осуществляйте надзор за детьми, чтобы не допустить использования устройства в качестве игрушки.

- Не разрешайте детям прикасаться к корпусу устройства, шнуру питания или к вилке шнура питания во время работы устройства.
- Будьте особенно внимательны, если поблизости от работающего устройства находятся дети или лица с ограниченными возможностями.
- Во время работы и в перерывах между рабочими циклами размещайте устройство в местах, недоступных для детей.
- Прибор не предназначен для использования лицами (включая детей) с пониженными физическими, психическими или умственными способностями, или при отсутствии у них опыта или знаний, если они не находятся под контролем или не проинструктиваны лицом, ответственным за их безопасность, об использовании прибора.
- Периодически проверяйте состояние изоляции шнура питания.
- При повреждении шнура питания его замену, во избежание опасности, должны производить изготовитель, сервисная служба или подобный квалифицированный персонал.
- Запрещается самостоятельно ремонтировать устройство. Не разбирайте устройство самостоятельно, при возникновении любых неисправностей, а также после падения устройства отключите его от электросети и обратитесь в сервисный центр.
- Во избежание повреждений перевозите устройство в заводской упаковке.

- Храните устройство в сухом прохладном месте, недоступном для детей и людей с ограниченными возможностями.

**УСТРОЙСТВО ПРЕДНАЗНАЧЕНО ТОЛЬКО ДЛЯ БЫТОВОГО ИСПОЛЬЗОВАНИЯ, ЗАПРЕЩАЕТСЯ ИСПОЛЬЗОВАТЬ УСТРОЙСТВО В КОММЕРЧЕСКИХ ИЛИ ЛАБОРАТОРНЫХ ЦЕЛЯХ.**

#### ПЕРЕД ПЕРВЫМ ИСПОЛЬЗОВАНИЕМ

**После транспортировки или хранения устройства при отрицательной температуре, распакуйте его и подождите не менее 3 часов перед использованием.**

- Распакуйте устройство и удалите все упаковочные материалы.
- Сохраните заводскую упаковку.
- Ознакомьтесь с мерами безопасности и рекомендациями по эксплуатации.
- Проверьте комплектацию.
- Осмотрите устройство на наличие повреждений, при наличии повреждений не включайте его в электрическую сеть.
- Убедитесь, что указанные параметры напряжения питания устройства соответствуют параметрам электрической сети. При использовании устройства в электрической сети частотой 60 Гц, никаких дополнительных действий не требуется.

#### ИСПОЛЬЗОВАНИЕ НАСАДОК

##### Универсальная пневматическая щетка (1)

Универсальная щетка подходит для любых поверхностей.

##### Щелевая насадка (27)

Насадка (27) используется для чистки радиаторов, щелей или пространства между подушками диванов.

##### Щётка для чистки мебели (28)

Насадка (28) предназначена для сбора пыли с поверхности мебели, наличие ворса на щётке (28) препятствует повреждению полированной поверхности мебели.

##### Отсек для хранения насадок

Нажмите на фиксатор (12) крышки отсека для насадок и откройте крышку. После использования поместите насадку в отсек и закройте крышку до срабатывания фиксатора (12).

#### СБОРКА ПЫЛЕСОСА

##### Присоединение и снятие гибкого шланга (7)

- Вставьте наконечник (8) гибкого шланга (7) в воздухозаборное отверстие (10) до срабатывания фиксаторов (9).
- Для снятия гибкого шланга (7) нажмите на фиксаторы (9) и выньте наконечник (8) из воздухозаборного отверстия (10) (рис. 1).

### Присоединение телескопической трубки (4) и насадок

- Присоедините телескопическую удлинительную трубку (4) к ручке гибкого шланга (5) (рис. 2).
- Выдвиньте нижнюю часть телескопической трубки (4) на необходимую длину, предварительно нажав на фиксатор (3).
- Выберите необходимую насадку – щётку для пола/ковровых покрытий (1), щелевую насадку (27) или насадку для чистки мебели (28) и подсоедините её к телескопической удлинительной трубке (4).
- Насадки (27, 28) можно присоединять к ручке гибкого шланга (5).

### ВНИМАНИЕ!

- Запрещается использовать пылесос в местах, где используются или распыляются аэрозоли, а также вблизи от легковоспламеняющихся жидкостей, запрещается использовать пылесос в местах хранения таких жидкостей.
- Пылесос не предназначен для сбора воды или любых других жидкостей, запрещается собирать горящие или дымящиеся сигареты, тлеющий пепел.
- Запрещается собирать пыль от штукатурки, бетона, муки или золы.
- Перед началом уборки уберите с пола острые предметы, чтобы не допустить повреждения устройства.

- Если во время уборки резко снизилась всасывающая мощность пылесоса, немедленно выключите его и выньте вилку шнура питания из электрической розетки, проверьте телескопическую трубку (4) или шланг (7) на предмет засорения, устраните засор, и только после этого можно продолжать уборку.

### ИСПОЛЬЗОВАНИЕ ПЫЛЕСОСА

#### Внимание!

- Включать пылесос можно только с установленным пылесборником (15 или одноразовым бумажным 29), а также с входным фильтром (16) и выходным НЕРА-фильтром (23) и поролоновым фильтром (24).
- Перед началом уборки всегда проверяйте правильность установки фильтров (16, 23, 24).
- Возьмитесь за вилку шнура питания и вытяните шнур питания на необходимую длину, вставьте вилку шнура питания в электрическую розетку.
- Жёлтая метка на шнуре питания предупреждает о максимальной длине сетевого шнура. Запрещается вытягивать шнур питания дальше красной метки.
- Для включения пылесоса нажмите на клавишу включения/выключения (17) (рис. 4).
- Во время уборки Вы можете регулировать мощность всасывания с помощью ручного регулятора мощности всасывания (6), расположенного на ручке гибкого шланга (5) и кнопками регулировки мощности всасывания (19) «+/-» (рис. 5), при этом на дисплее

(18) будет отображаться оптимальное соотношение мощности всасывания и тип поверхности для уборки (рис.6).



- минимальный уровень мощности



- оптимальная мощность для чистки штор и т.п.



- большая мощность всасывания и низкий уровень шума



- чистка ковров и ковровых покрытий



- максимальная мощность всасывания, чистка сильно загрязнённых полов, ковров или ковровых покрытий

- По окончании уборки выключите пылесос, нажав на клавишу включения/выключения (17), выньте вилку шнура питания из электрической розетки.
- Для сматывания сетевого шнура нажмите на клавишу (20), во время сматывания шнура питания придерживайте его (рис. 7).
- Если во время уборки необходимо сделать перерыв, выключите пылесос нажав на клавишу (17), установите щётку (1) в место «парковки» щётки (22).

**ВНИМАНИЕ!** Перед сменой насадок или чисткой пылесборника (15), выключите пылесос, нажав на клавишу включения/выключения (17), выньте вилку шнура питания из электрической розетки.

### ЧИСТКА И УХОД

#### Чистка пылесборника (15)

- Если во время уборки загорелся индикатор заполнения пылесборника (21), необходимо очистить пылесборник (15) или заменить одноразовый бумажный пылесборник (29).

**Примечание:** бумажный пылесборник (29) одноразовый, при заполнении пылесборника (29) утилизируйте его.

- Перед чисткой пылесборника (15) выключите пылесос, нажав на клавишу включения/выключения (17) и выньте вилку шнура питания из электрической розетки.
- Откройте крышку отсека пылесборника (13), нажав на фиксатор крышки (11) (рис. 9).
- Выньте держатель пылесборника (14) вместе с пылесборником (15).
- Выньте пылесборник (15) из держателя (14).
- Расположите пылесборник (15) над мусорным ведром, снимите пластмассовый зажим и удалите пыль и мусор из пылесборника (15). Вы можете промыть пылесборник (15) тёплой водой с мягким моющим средством, прополоскать и тщательно просушить, после этого установите на пылесборник (15) пластмассовый зажим.
- Установите пылесборник (15) в держатель (14).
- Установите держатель пылесборника (14) с установленным пылесборником (15) в корпус отсека пылесборника.



- Закройте крышку отсека пылесборника (13), слегка надавите на крышку (13) до щелчка фиксатора (11).

#### Примечания:

– не пытайтесь закрыть крышку (13) без установленного держателя пылесборника (14), в противном случае Вы можете повредить блокировку или крышку (13);

– перед закрытием крышки (13) всегда проверяйте правильность установки держателя пылесборника (14) и установленного в нём пылесборника (15 или одноразового бумажного пылесборника 29).

#### Чистка фильтров

Эффективность работы пылесоса зависит от состояния фильтров (16, 23, 24), проводите чистку фильтров (16, 23, 24) не менее четырёх-пяти раз в год.

#### Чистка входного фильтра (16)

- Выключите пылесос нажав на клавишу включения/выключения (17), выньте вилку шнура питания из электрической розетки.
- Откройте крышку отсека пылесборника (13), нажав на фиксатор крышки (11) (рис. 8).
- Выньте держатель пылесборника (14) вместе с пылесборником (15) (рис. 9).
- Возьмитесь за входной фильтр (16) и выньте его, потянув по направлению вверх (рис. 10).
- Промойте входной фильтр (16) тёплой водой с мягким моющим средством, ополосните и тщательно

просушите фильтр (16), установите фильтр (16) на место.

**Примечания:** перед установкой входного фильтра (16) убедитесь в том, что он чистый и сухой.

- Установите на место держатель пылесборника (14) с установленным пылесборником (15 или одноразовым бумажным пылесборником 29).
- Закройте крышку отсека пылесборника (13), слегка надавите на крышку (13) до щелчка фиксатора (11).

#### Чистка выходного HEPA-фильтра (23) и поролонового фильтра (24)

- Выключите пылесос нажав на клавишу включения/выключения (17) и выньте вилку шнура питания из электрической розетки.
- Снимите решётку выходного фильтра (25), нажав на фиксаторы (26) (рис. 11), выньте HEPA-фильтр (23) и поролоновый фильтр (24).
- Промойте HEPA-фильтр (23), поролоновый фильтр (24) и решётку (25) под струёй слегка тёплой воды, не используйте для промывки HEPA-фильтра (23), поролонового фильтра (24) и решётки (25) посудомоечную машину.
- Просушите HEPA-фильтр (23) и поролоновый фильтр (24).
- Запрещается для сушки HEPA-фильтра (23) и поролонового фильтра (24) использовать фен или другие подобные устройства.
- Установите HEPA-фильтр (23) и поролоновый фильтр (24) на место.

- Установите на место решётку выходного фильтра (25).

**Примечание:** перед установкой HEPA-фильтра (23) и поролонового фильтра (24), убедитесь в том, что они чистые и сухие.

#### Корпус пылесоса

- Корпус пылесоса протрите мягкой, слегка влажной тканью, после чего вытрите насухо. Не допускайте попадания жидкости внутрь корпуса пылесоса.
- Не используйте для чистки корпуса пылесоса и насадок абразивные чистящие средства или растворители.
- Запрещается погружать корпус пылесоса, шнур питания и вилку шнура питания в воду или любые другие жидкости.

#### ЗАЩИТА ОТ ПЕРЕГРЕВА

- При превышении рабочей температуры электродвигателя сработает система защиты от перегрева.
- Если во время уборки пылесос отключился, нажмите клавишу включения/выключения (17), выньте вилку шнура питания из электрической розетки.
- Дайте пылесосу остыть в течение 30-40 минут, после чего включите его снова. В зависимости от температуры воздуха в помещении, время остывания электродвигателя может отличаться от указанных значений.

- Если пылесос не включается, это может быть связано с другой неисправностью, в этом случае обратитесь в сервисный центр.

#### ХРАНЕНИЕ

- Перед тем, как убрать пылесос на длительное хранение, проведите чистку корпуса пылесоса, пылесборника (15), HEPA-фильтра (23), поролонового фильтра (24) и входного фильтра (16).
- Для удобства при хранении пылесоса используйте место «парковки» щётки (22).
- Храните насадки в отсеке для насадок.
- Храните пылесос в сухом прохладном месте, недоступном для детей и людей с ограниченными возможностями.

#### КОМПЛЕКТАЦИЯ

1. Пылесос с установленным пылесборником и фильтрами – 1 шт.
2. Гибкий шланг – 1 шт.
3. Телескопическая удлинительная трубка – 1 шт.
4. Универсальная пневматическая щётка – 1 шт.
5. Щелевая насадка – 1 шт.
6. Щётка для чистки мебели/ – 1 шт.
7. Одноразовые бумажные пылесборники – 3 шт.
8. Инструкция – 1 шт.

### ТЕХНИЧЕСКИЕ ХАРАКТЕРИСТИКИ

- Электропитание: 220-240 В ~ 60 Гц
- Номинальная потребляемая мощность: 2200 Вт
- Мощность всасывания: 450 Вт
- Объем пылесборника – 4 л.

### УТИЛИЗАЦИЯ



Чтобы предотвратить возможный вред окружающей среде или здоровью людей от неконтролируемой утилизации отходов, после окончания срока службы устройства или элементов питания (если входят в комплект), не выбрасывайте их вместе с обычными бытовыми отходами, передайте прибор и элементы питания в специализированные пункты для дальнейшей утилизации.

Отходы, образующиеся при утилизации изделий, подлежат обязательному сбору с последующей утилизацией в установленном порядке.

Для получения дополнительной информации об утилизации данного продукта обратитесь в местный муниципалитет, службу утилизации бытовых отходов или в магазин, где Вы приобрели данный продукт.

Производитель сохраняет за собой право изменять дизайн, конструкцию и технические характеристики, не влияющие на общие принципы работы устройства, без предварительного уведомления.

### Срок службы устройства – 3 года

Дата производства указана в серийном номере.

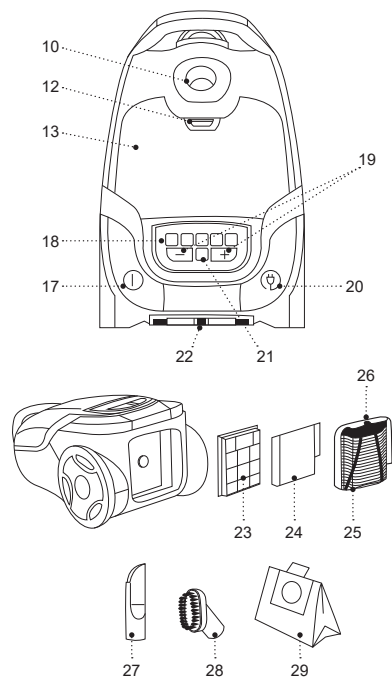
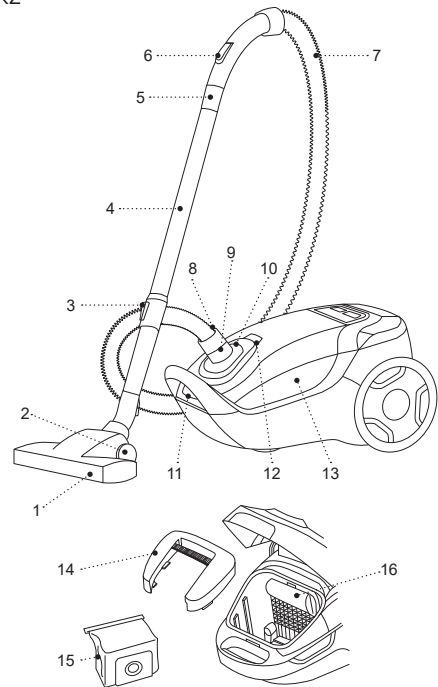
В случае обнаружения каких-либо неисправностей необходимо обратиться в авторизованный сервисный центр.

## ШАҢСОРҒЫШ BR4222

Шаңсорғыш үй-жайларды құрғақ жинастыруға арналған.

### СИПАТТАМАСЫ

1. Әмбебап пневматикалық щетка
2. Доңғалақ щеткалары
3. Телескопты түтік бекіткіші
4. Телескопиялық ұзартқыш түтік
5. Иілгіш құбыршектің сабы
6. Сорғызу қуатының қолмен реттегіші
7. Иілгіш құбыршек
8. Иілгіш құбыршек ұштамасы
9. Ұштама бекіткіші
10. Ауатартқыш саңылау
11. Шаңжинағыш бөлігі қақпағының бекіткіші
12. Қондырмаларды сақтау бөлігі қақпағының бекіткіші
13. Шаңжинағыш бөлігінің қақпағы
14. Шаңжинағыш ұстағышы
15. Шаңжинағыш
16. Кіру сүзгісі
17. Шаңсорғышты қосу/сөндіру пернесі
18. Дисплей
19. Сору қуатын реттеу батырмасы «-/+»
20. Қуаттандыру бауын орау пернесі
21. Шаңжинағыш толуының индикаторы
22. Қылшақтың «тұрақ» орны
23. Шығу HEPA-сүзгісі
24. Поролон сүзгі
25. Шығу сүзгісінің торы
26. Тор бекітпесі
27. Саңылаулық қондырма
28. Жиһаз тазалауға арналған қылшақ
29. Бірмәртелік қағаз шаңжинағыш



Cyp. 1



Cyp. 2



Cyp. 3



Cyp. 4



Cyp. 5



Cyp. 6



Cyp. 7



Cyp. 8



Cyp. 9



Cyp. 10



Cyp. 11

## ҚАУІПСІЗДІК ШАРАЛАРЫ ЖӘНЕ ҚОЛДАНУҒА БЕРУ ЖӨНІНДЕГІ НҰСҚАУЛЫҚ

### Шаңсорғышты пайдалану алдында қолдану жөніндегі басшылықты мұқият оқып шығыңыз, оқыған соң, болашақта пайдалану үшін сақтап қойыңыз.

- Құрылғыны осы нұсқаулықта баяндалғандай, оның тікелей мақсаты бойынша ғана пайдаланыңыз.
- Құрылғыны дұрыс қолданбау оның бұзылуына, және пайдаланушыға немесе оның мүлкіне зиян келтіруге әкелуі мүмкін және кепілдік жағдайы болып табылмайды.
- Заттаңбада көрсетілген құрылғының жұмыс кернеуі электр желісінің кернеуіне сәйкес екеніне көз жеткізіңіз.
- Өрт шығу қаупін болдырмау үшін шаңсорғышты электр розеткасына қосарда ауыстырғыштарды пайдаланбаңыз.
- Шаңсорғыш корпусын, қуаттандыру бауын және қуаттандыру бауының ашасын су қолмен ұстамаңыз.
- Егер шаңжинағыш-контейнер орнатылмаса немесе дұрыс орнатылмаса, кіру немесе шығу сүзгісі орнатылмаса, шаңсорғышты пайдалануға тыйым салынады.
- Жеткізілім жиынтығына кіретін қондырмалар мен детальдарды ғана пайдаланыңыз.
- Желіге қосылған құрылғыны, қараусыз қалдырмаңыз.
- Шаңсорғышты үй-жайдан тыс жерде пайдалануға тыйым салынады.

- Найзағай кезінде құрылғыны пайдалану ұсынылмайды.
- Құрылғыны соққыдан, құлаудан, дірілден және басқа да механикалық әсерлерден сақтаңыз.
- Құрылғыны жылыту аспаптарының, ашық оттың немесе жылу көздерінің тікелей жанында пайдаланбаңыз.
- Шаңсорғышты аэрозольдар пайдаланылатын немесе шашырайтын жерлерде, сондай-ақ тез тұтанатын сұйықтықтарға жақын жерлерде пайдалануға тыйым салынады, мұндай сұйықтықтарды сақтау орындарында шаңсорғышты пайдалануға тыйым салынады.
- Шаңсорғыш суды немесе кез келген басқа сұйықтықтарды жинауға арналмаған.
- Жанып жатқан немесе түтіндеп жатқан темекіні, бықсыған күлді жинауға тыйым салынады.
- Сылақтың, бетонның, ұнның немесе күлдің шаңын жинауға тыйым салынады.
- Үй жануарларының жүнін тазалау үшін шаңсорғышты пайдаланбаңыз.
- Үй-жайды жинау кезінде киімнің еркін салбырап тұрған элементтері, шаштар немесе дененің басқа да бөліктері қылшақтың немесе қондырмалардың ауа тартқыш тесігінің жанында болмауын қадағалаңыз.
- Шаңсорғыштың кіру және шығу тесігін бөгде заттармен жабуға тыйым салынады, егер оның қандай да бір тесіктері бұғатталса, шаңсорғышты қоспаңыз.
- Қуаттандыру бауының зақымдануын болдырмау үшін үй-жайды жинау кезінде қуаттандыру бауының үстінен шаңсорғышпен жүріп өтуге тыйым салынады.

- Шаңсорғышты тасымалдауға арналған сап ретінде қуаттандыру бауын пайдалануға тыйым салынады, шаңсорғышты тасымалдауға арналған саптан ұстап тасымалдаңыз.
- Шаңжинағыш-контейнер мен шаңсорғыш сүзгілерін мезгілімен тазалап отырыңыз.
- Қолданғаннан кейін немесе тазалау алдында қосу/өшіру пернесі арқылы шаңсорғышты өшіріңіз және электр розеткасынан қуаттандыру бауының ашасын суырыңыз.
- Шаңсорғышты электр желісінен ажыратқан кезде тек қуаттандыру бауының ашасынан ұстаңыз және оны электр розеткасынан абайлап суырыңыз, қуаттандыру бауынан тартпаңыз – бұл оның зақымдануына әкеліп, қысқа тұйықталуын тудыруы мүмкін.
- Балалардың қауіпсіздігі үшін қаптама ретінде пайдаланылатын полиэтилен пакеттерді қадағалаусыз қалдырмаңыз.

**Назар аударыңыз!** Балаларға полиэтилен қаптармен немесе қаптамалық үлдірмен ойнауға рұқсат етпеңіз. **Тұншығу қаупі бар!**

- Құрылғы балалардың пайдалануына арналмаған.
- Құрылғыны ойыншық ретінде пайдалануға жол бермеу үшін балаларды қадағалаңыз.
- Балаларға жұмыс істеп тұрған құрылғының жұмыс бетіне, корпусына, қуаттандыру бауы немесе қуаттандыру бауының ашасына қол тигізуіне рұқсат етпеңіз.

- Егер жұмыс істеп тұрған құрылғының маңында балалар немесе мүмкіндіктері шектеулі адамдар болса, онда ерекше назарда болыңыз.
- Жұмыс істеу уақытында және жұмыс циклдері арасындағы үзілістерде құрылғыны балалардың қолы жетпейтін жерде орналастырыңыз.
- Дене, жүйке немесе сана мүмкіндіктері төмендетілген тұлғалардың (балаларды қоса) немесе оларда тәжірибесі немесе білімі болмаса, егер олар бақыланбаса немесе олардың қауіпсіздігі үшін жауап беретін тұлғамен аспапты пайдалану туралы нұсқаулықтар берілген болмаса, аспап олардың пайдалануына тағайындалмаған.
- Қуаттандыру бауы оқшаулануының күйін мезгілімен тексеріп отырыңыз.
- Қуаттандыру бауы зақымданғанда қауіп тудырмау үшін оны дайындаушы, сервистік қызмет немесе баламалы білікті маман ауыстыруы тиіс.
- Құрылғыны өздігіңізден жөндеуге тыйым салынады. Құрылғыны өздігіңізден бөлшектемеңіз, кез-келген ақаулықтар пайда болғанда, сондай-ақ құрал құлаған болса оны электр желісінен ажыратыңыз және сервис орталығына жүгініңіз.
- Зақымдануларға жол бермеу үшін құрылғыны тек зауыттық қаптамада тасымалдаңыз.
- Құрылғыны салқын және құрғақ, балалардың және мүмкіндігі шектеулі адамдардың қолы жетпейтін жерде сақтаңыз.

## ҚҰРЫЛҒЫ ТЕК ТҰРМЫСТЫҚ ПАЙДАЛАНУҒА АРНАЛҒАН, ҚҰРЫЛҒЫНЫ КОМЕРЦИЯЛЫҚ НЕМЕСЕ ЗЕРТХАНАЛЫҚ МАҚСАТТАРДА ПАЙДАЛАНУҒА ТЫЙЫМ САЛЫНАДЫ.

### АЛҒАШ РЕТ ПАЙДАЛУ АЛДЫНДА

Құрылғыны төмен температурада тасымалдағаннан кейін немесе сақтаған болсаңыз, оны қаптамадан шығарыңыз және пайдалану алдында 3 сағаттан кем емес уақыт күтіңіз.

- Құрылғыны қаптамадан шығарыңыз және барлық қаптама материалдарын жойыңыз.
- Зауыт қаптамасын сақтап қойыңыз.
- Қауіпсіздік шаралары мен пайдалану нұсқауларымен танысыңыз.
- Жинақталымын тексеріңіз.
- Құрылғыны зақымдануына қатысты тексеріп алыңыз, зақымдануы болған жағдайда оны электр желіге қоспаңыз.
- Құрылғыда көрсетілген қуаттандыру кернеуі параметрлері электр желісінің параметрлеріне сәйкес келетініне көз жеткізіңіз. Құрылғыны 60 Гц жиіліктегі электр желісінде пайдаланғанда, ешқандай қосымша әрекет қажет емес.

## ҚОНДЫРМАЛАРДЫ ПАЙДАЛАНУ

### Әмбебап пневматикалық щетка (1)

Әмбебап щетка кез-келген бетке жарайды.

### Саңылаулық қондырма (27)

Қондырма (27) радиаторларды, саңылауларды немесе диван жастықтары арасындағы кеңістікті тазалау үшін пайдаланылады.

### Жиһазды қаптауын тазалауға арналған қылшақ (28)

Қондырманы (28) жұмсақ жиһаздың маталы қаптауын тазалау үшін пайдаланыңыз.

### Қондырмаларды сақтауға арналған бөлік

Қондырмаларға арналған бөлік қақпағының бекіткішіне (12) басыңыз және қақпақты ашыңыз. Пайдаланып болғаннан кейін қондырманы бөлікке салыңыз да қақпақты бекіткіш (12) іске қосылғанға дейін басып жабыңыз.

### ШАҢСОРҒЫШТЫ ЖИНАУ

- Иілгіш құбыршекті (7) қосу және шешу
- Иілгіш құбыршектің (7) ұштамасын (8) ауатартқыш саңылауға (10) бекіткіштер (9) іске қосылғанға дейін тығыңыз.
- Иілгіш құбыршекті (7) шешу үшін бекіткіштерге (9) басыңыз және ұштаманы (8) ауатартқыш саңлауынан (10) шығарыңыз (1 сур.).

## Телескопиялық түтікті (4) және қондырмаларды қосу

- Телескопиялық ұзартқыш түтікті (4) иілгіш құбыршектің сабына (5) қосыңыз (2 сур.).
- Алдын-ала бекіткішке (3) басып, телескопиялық түтіктің (4) төменгі бөлігін қажетті ұзындыққа шығарыңыз.
- Қажетті қондырманы – еденге/кілем жабынына арналған қылшақты (1), саңылаулық қондырманы (27) немесе жиһаз қаптауын тазалауға арналған қондырманы (28) таңдаңыз және оны телескопиялық ұзартқыш түтікке (4) қосыңыз.
- Қондырмаларды (27 және 28) иілгіш құбыршек сабына қосуға болады (5).

### НАЗАР АУДАРЫҢЫЗ!

- Шаңсорғышты аэрозольдар пайдаланылатын немесе шашырайтын жерлерде, сондай-ақ тез тұтанатын сұйықтықтарға жақын жерлерде пайдалануға тыйым салынады, мұндай сұйықтықтарды сақтау орынында шаңсорғышты пайдалануға тыйым салынады.
- Шаңсорғыш суды немесе кез келген басқа сұйықтықтарды жинауға арналмаған, жанып жатқан немесе түтіндеп жатқан темекіні, бықсыған күлді жинауға тыйым салынады.
- Сылақтың, бетонның, ұнның немесе күлдің шаңын жинауға тыйым салынады.
- Жинауды бастамас бұрын еденнен құрылғының бүлінуіне жол бермеу үшін, үшкір заттарды алып тастаңыз.
- Егер жинау кезінде шаңсорғыштың сору қуаты күрт

төмендесе, оны дереу өшіріңіз және электр розеткасынан қуаттандыру бауының ашасын суырыңыз, телескопиялық түтікті (4) немесе құбыршекті (7) қоқыстануына қатысты тексеріңіз, қоқыстарды тазалаңыз, содан кейін ғана жинауды жалғастыруға болады.

## ШАҢСОРҒЫШТЫ ПАЙДАЛАНУ

### Назар аударыңыз!

- Шаңсорғышты тек қана орнатылған шаңжинағышымен (15 немесе бір мәртелік қағаз (29), сондай-ақ кіру сүзгісімен (16) және шығу HEPA-сүзгісімен (23) және поролон сүзгісімен (24) ғана қосуға болады.
- Тазалауды бастамас бұрын сүзгілердің (16, 23, 24) дұрыс орнатылғанын тексеріңіз.
- Қуаттандыру бауының ашасын ұстаңыз және қуаттандыру бауын қажетті ұзындыққа тартыңыз, қуаттандыру бауының ашасын электр розеткасына салыңыз.
- Желі бауындағы сары белгі желі бауының максималды ұзындығы екенін ескертеді. Қуаттандыру бауын қызыл белгіден артыққа тартуға тыйым салынады.
- Шаңсорғышты қосу үшін қосу/өшіру (17) пернесіне басыңыз (4 сур.).
- Жинастыру барысында сіз сору қуатын иілгіш құбыршектің сабында (5) орналасқан, сору қуатының қол реттегіші (6) көмегімен реттей аласыз және сору қуатын реттейтін батырмалармен «-/+» (5 сур.), осы ретте бар дисплейде (18) сору қуатының деңгейі көрсетіледі, сору қуаты мен жинастыратын бет типінің оңтайлы арақатынасы (6 сур.).



- қуатының минималды деңгейі



- перделерді және т. б. тазалауға арналған тиімді қуат



- сору қуаты үлкен және шуыл деңгеуі төмен



- кілемдер мен кілем жабындыларын тазалау



- максималды сору қуаты, қатты ластанған еденді, кілемдерді және кілем жабындыларын тазалау

- Жинау аяқталғаннан кейін шаңсорғышты өшіріңіз, қосу/өшіру (17) пернесін басып, электр розеткасынан қуаттандыру бауының ашасын шығарыңыз.
- Желі бауын орау үшін пернеге (20) басыңыз, қуаттандыру бауының оралуы кезінде оны ұстап отырыңыз (7 сур.).
- Егер жинау кезінде үзіліс жасау қажет болса, шаңсорғышты пернесін (17) басу арқылы өшіріңіз, қылшақты (1) қылшақ «тұрағы» (22) орнына қойыңыз.

**НАЗАР АУДАРЫҢЫЗ!** Қондырмаларды ауыстыру немесе шаңжинағыш-контейнерді (15) тазалау алдында, қосу/өшіру (17) пернесін басып, шаңсорғышты өшіріңіз, электр розеткасынан қуаттандыру бауының ашасын суырыңыз.

## ТАЗАРТУ ЖӘНЕ КҮТІМІ

### Шаңжинағышты (15) тазалау

- Егер жинау барысында шаң жинағыш (21) толуының индикаторы жанса, шаң жинағышты (15) тазалау керек немесе бір мәртелік қағаз шаң жинағышты (29) ауыстыру керек.

**Ескертпе:** қағаз шаңжинағыш (29) бірімәртелік, шаңжинағыш (29) толған кезде оны жойыңыздар.

- Шаңжинағышты (15) тазаламас бұрын, шаңсорғышты қосу/сөндіру (17) пернесін басып өшіріңіз және электр розеткасынан қуаттандыру бауының ашасын суырыңыз.
- Қақпақтың бекіткішіне (13) басып, шаңжинағыш бөлімінің қақпағын (11) ашыңыз (8 сур.).
- Шаңжинағыш ұстағышын (14) шаңжинағышпен (15) бірге алып шығыңыз (9 сур.).
- Шаңжинағышты (15) шаңжинағыш ұстағышынан (14) алып шығыңыз.
- Шаңжинағышты (15) қоқыс шелегінің үстінен ұстаңыз, пластмассалы қысқышын шешіп алыңыз және шаң мен қоқысты шаңжинағыштан (15) шығарып тастаңыз. Шаңжинағышты (15) жұмсақ жуу құралы бар жылы сумен жуып, шайып жақсылап құрғата аласыз, содани кейін шаңжинағышқа (15) пластмассалы қысқышты орнатыңыз.
- Шаңжинағышты (15) ұстағышқа (14) орнатыңыз.
- Орнатылған шаңжинағышы (15) бар шаңжинағыш ұстағышын (14) шаңжинағыш корпусының бөліміне орнатыңыз.

- Шаңжинағыш бөлімінің қақпағын (13) жабыңыз, қақпақты (13) бекітпесі (11) сырт еткенге дейін сәл басыңыз.

### Ескертпелер:

– орнатылған шаңжинағыш ұстағышы (14) жоқ қақпақты (13) жабуға тырыспаңыз, олай болмаған жағдайда қақпақты (13) немесе бұғаттауын зақымдап алуыңыз мүмкін;

– қақпақты (13) жабар алдында әрқашан шаңжинағыш ұстағышының (14) және ішіне орнатылған шаңжинағыштың (15) немесе бірімәртелік қағаз шаңжинағыштың (29) дұрыс орнатылғандығын тексеріңіз.

### Сүзгілерді тазалау

- Шаңсорғыш жұмысының тиімділігі сүзгілердің (16, 23, 24) жағдайына байланысты, сүзгілерді (16, 23, 24) жылына кемінде төрт-бес рет тазалаңыз.

### Кіру сүзгісін (16) тазалау

- Қосу/сөндіру пернесін (17) басып шаңсорғышты өшіріңіз, қуаттандыру бауының ашасын электр розеткасынан суырыңыз.
- Қақпақтың бекіткішіне (11) басып, шаңжинағыш бөлімінің қақпағын (13) ашыңыз (8 сур.).
- Шаңжинағыш ұстағышын (14) шаңжинағышпен (15) бірге алып шығыңыз (9 сур.).
- Кіру сүзгісінен (16) ұстаңыз және оны жоғары қарай тартып, шығарып алыңыз (10 сур.).

- Кіру сүзгісін (16) жұмсақ жуу құралы бар жылы сумен жуыңыз, сүзгіні (16) шайыңыз және мұқият құрғатыңыз, сүзгіні (16) орнына орнатыңыз.

**Ескертпелер:** кіру сүзгісін (16) орнына орнатар алдында, оның таза және құрғақ екеніне көз жеткізіңіз.

- Шаңжинағыш ұстағышын (14) ішіне орнатылған шаңжинағышпен (15) бірімәртелік қағаз шаңжинағышпен (29) орнына орналастырыңыз.
- Шаңжинағыш бөлімінің қақпағын (13) жабыңыз, қақпақты (13) бекітпесі (11) сырт еткенге дейін сәл басыңыз.

### Шығу HEPA-сүзгісін (23) және поролон сүзгіні (24) тазалау

- Қосу/сөндіру пернесін (17) басып шаңсорғышты өшіріңіз және қуаттандыру бауының ашасын электр розеткасынан суырыңыз.
- Шығу сүзгісінің торын (25), бекіткіштерге (26) (сур. 11) басып шешіп алыңыз, HEPA-сүзгіні (23) және поролон сүзгіні (24) шығарып алыңыз.
- HEPA-сүзгіні (23), поролон сүзгіні (24) және торды (25) сәл жылы су ағынының астында жуыңыз, HEPA-сүзгіні (23), поролон сүзгіні (24) және торды (25) жуу үшін ыдыс жуу машинасын пайдаланбаңыз.
- HEPA-сүзгіні (23) және поролон сүзгіні (24) кептіріңіз.
- HEPA-сүзгіні (23) және поролон сүзгіні (24) кептіру үшін фен немесе басқа да осындай құрылғыларды пайдалануға тыйым салынады.

- HEPA-сүзгіні (23) және поролон сүзгіні (24) орнына орнатыңыз.
  - Шығу сүзгісінің торын (25) орнына орнатыңыз.
- Ескертпе:** HEPA-сүзгіні (23) және поролон сүзгіні (24), орнату алдында, олардың таза және құрғақ екеніне көз жеткізіңіз.

### Шаңсорғыш корпусы

- Шаңсорғыш корпусын жұмсақ, сәл дымқыл матамен сүртіңіз, содан кейін оны құрғатып
- сүртіңіз. Шаңсорғыш корпусының ішіне сұйықтық тиюіне жол бермеңіз.
- Шаңсорғыш корпусын және қондырмаларын тазалау үшін еріткіштер мен қажайтын тазалағыш заттарды пайдаланбаңыз.
- Шаңсорғыштың корпусын, қуаттандыру бауын және қуаттандыру бауының ашасын
- суға немесе басқа да сұйықтыққа батыруға тыйым салынады.

### ҚИЗЫП КЕТУДЕН ҚОРҒАНЫС

- Жұмыс температурасының жоғарылауы кезінде электр моторының қызып кетуден қорғау жүйесі іске қосылады.
- Егер жұмыс кезінде, шаңсорғыш өшіп қалса, қосу/сөндіру пернесіне (17) басыңыз, желі бауының ашасын электр розеткасынан суырыңыз.

- Шаңсорғышты 30-40 минут суытыңыз, содан кейін қайтадан қосыңыз. Үй-жайдағы ауа температурасына байланысты электр моторының суыту уақыты көрсетілген мәндерден өзгеше болуы мүмкін.
- Егер шаңсорғыш қосылмаса, бұл басқа ақаулықпен байланысты болуы мүмкін, бұл жағдайда сервис орталығына жүгініңіз.

### САҚТАЛУЫ

- Шаңсорғышты ұзақ уақыт сақтауға алып қоярдың алдында, шаңсорғыш корпусын, шажинағышты (15), HEPA-сүзгісін (23), поролон сүзгісін (24) және шығу сүзгісін (16) тазалаңыз.
- Шаңсорғышты сақтау кезінде ыңғайлы болу үшін қылшақтың «тұрақ» орнын (22) пайдаланыңыз.
- Қондырмаларды қондырмаларға арналған бөлікте сақтаңыз.
- Шаңсорғышты салқын және құрғақ, балалардың және мүмкіндігі шектеулі адамдардың қолы жетпейтін жерде сақтаңыз.

### ЖИЫНАҚТАЛЫМЫ

1. Сүзгілер мен шаңжинағыш-контейнері орнатылған шаңсорғыш – 1 дн.
2. Иілгіш құбыршек – 1 дн.
3. Телескопиялық ұзартқыш түтік – 1 дн.
4. Өмбебап пневматикалық щетка – 1 дн.
5. Саңылаулық қондырма – 1 дн.

6. Жиһазды/жиһаз қаптауын тазалауға арналған қылшақ – 1 дн.
7. Бірмәртелік қағаз шаңжинағыштар – 3 дн.
8. Нұсқаулық – 1 дн.

### ТЕХНИКАЛЫҚ СИПАТТАМАЛАРЫ

- Электр қуаттандыруы: 220-240 В ~ 60 Гц
- Номиналдық тұтыну қуаттылығы: 2200 Вт
- Сору қуаты: 450 Вт
- Шаңжинағыштың көлемі – 4 л

### ПАЙДАҒА АСЫРУ



Қалдықтардың бақыланбай пайдаға асыруынан қоршаған ортаға немесе адамдардың денсаулығына зиян келтірмеу үшін, құрылғының немесе қуаттандыру элементтерінің (егер жинақталымға кірсе) қызмет ету мерзімі аяқталғаннан кейін оларды әдеттегі тұрмыстық қалдықтармен бірге тастамаңыз, аспапты және қуаттандыру элементтерін одан әрі пайдаға асыру үшін арнайы пункттерге жіберіңіз.

Бұйымдарды пайдаға асыру кезінде пайда болатын қалдықтар белгіленген тәртіп бойынша келесі пайдаға асырылатын тәртіппен міндетті түрде жинауға жатады.

Берілген өнімді пайдаға асыру туралы қосымша ақпаратты алу үшін жергілікті муниципалитетке, тұрмыстық қалдықтарды пайдаға асыру қызметіне немесе берілген өнімді сіз сатып алған дүкенге жүгініңіз.

Өндіруші алдын-ала ескертусіз, құрылғының дизайнын, конструкциясы мен оның жалпы жұмыс ұстанымдарына әсер етпейтін техникалық сипаттамаларын өзгерту құқығын өзіне қалдырады.

### Құрылғының қызмет ету мерзімі – 3 жыл

Өндірілген күні сериялық нөмірде көрсетілген.

Қандай да бір ақаулықтар табылған жағдайда дереу авторландырылған сервистік орталыққа жүгіну керек.

Hergestellt für «Ruste GmbH»,  
Berggasse 18/18, 1090 Wien,  
Österreich

Produced for «Ruste GmbH»,  
Berggasse 18/18, 1090 Vienna, Austria

Изготовлено по заказу Русте Гмбх,  
Бергассе 18/18, 1090 Вена, Австрия

Уполномоченное изготовителем  
лицо: ООО «Грантэл»  
143912, МО, г. Балашиха,  
ш. Энтузиастов, вл. 1А  
т.: +7 (495) 297-50-20,  
e-mail: info@brayer.su

Made in China/Произведено в Китае



brayer.ru

