

Instruction manual
Инструкция по эксплуатации

Vacuum cleaner BR4208
Пылесос BR4208



СОДЕРЖАНИЕ

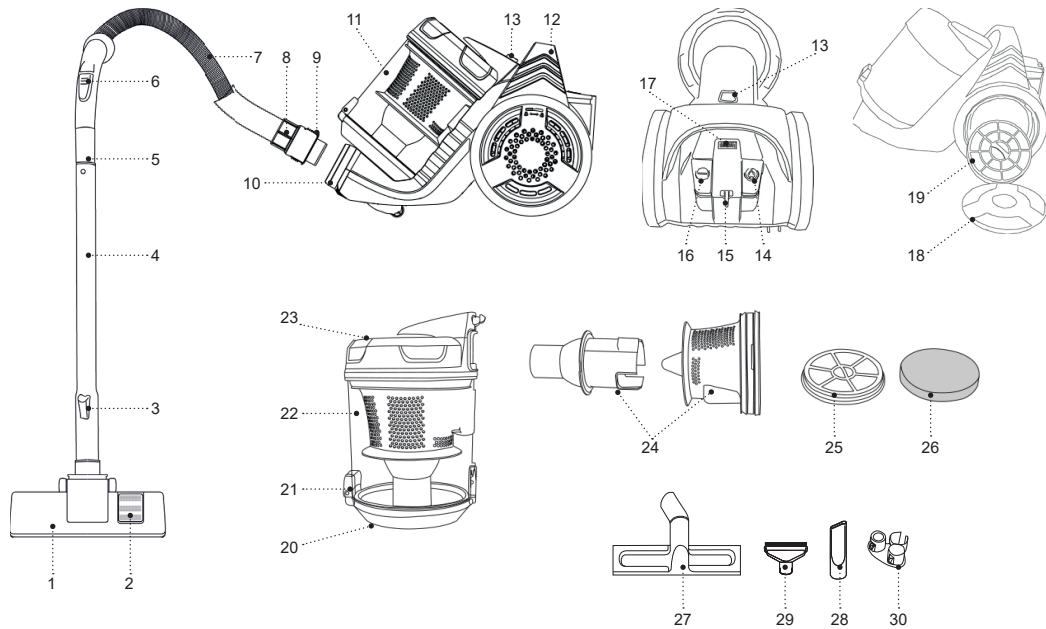
EN.....	3
DE.....	12
RU.....	22
KZ.....	32

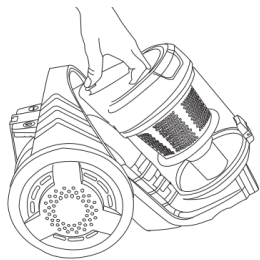
VACUUM CLEANER BR4208

The vacuum cleaner is intended for dry cleaning of rooms.

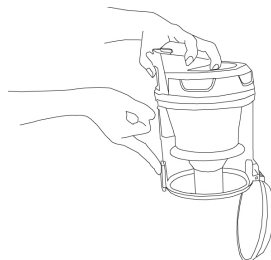
DESCRIPTION

1. Floor/carpet brush
2. «Floor/carpet» switch
3. Telescopic pipe lock
4. Telescopic extension pipe
5. Flexible hose handle
6. Manual suction power control
7. Flexible hose
8. Flexible hose ending
9. Ending locks
10. Air inlet
11. Dust bin
12. Carrying handle
13. Dust bin lock button
14. Power cord winding button
15. Brush storage
16. Vacuum cleaner on/off button
17. Suction power control
18. Outlet filter grid
19. HEPA filter
20. Dust bin bottom lid
21. Dust bin bottom lid clamp
22. Dust bin flask
23. Dust bin upper lid
24. Cyclonic filter
25. Inlet filter
26. Foam filter
27. Parquet brush
28. Narrow brush
29. Brush for cleaning furniture/upholstery
30. Accessory holder

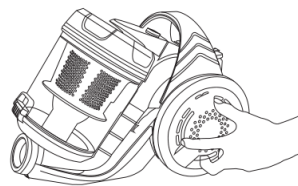




Pic. 1



Pic. 2



Pic. 3

SAFETY MEASURES AND OPERATION RECOMMENDATIONS

Read the operation manual carefully before using the vacuum cleaner; after reading, keep it for future reference.

- Use the unit for its intended purpose only, as it is stated in this manual.
- Mishandling the unit can lead to its breakage and cause harm to the user or damage to the user's property, which is not covered by warranty.
- Make sure that the operating voltage of the unit indicated on the label corresponds to your home mains voltage.
- To avoid fire, do not use plug adapters for connecting the vacuum cleaner to the mains.
- Do not touch the vacuum cleaner body, the power cord and the power plug with wet hands.
- Do not use the vacuum cleaner if the dust bin is not installed or installed improperly, or if the inlet and outlet filters are not installed.
- Use only the parts and attachments supplied with the unit.
- Never leave the unit connected to the mains unattended.
- Do not use the vacuum cleaner outdoors.
- It is not recommended to use the unit during lightning storms.
- Protect the unit from impacts, falling, vibrations and other mechanical stress.
- Do not use the unit near heating appliances, heat sources or open flame.
- Do not use the vacuum cleaner in places where aerosols are used or sprayed, and in proximity to highly inflammable liquids; do not use the vacuum cleaner in the places where such liquids are stored.
- The vacuum cleaner is not intended for collecting water or other liquids.
- Do not use the vacuum cleaner for collecting burning or smoking cigarettes or cinders.
- Do not use the vacuum cleaner for collecting dust of plaster, concrete, flour or ashes.
- Do not use the vacuum cleaner to clean your pets' fur.
- Keep free hanging clothes, hair and other parts of your body away from the air inlets of the brush or the attachments while room cleaning.
- Do not cover the inlets and outlets of the vacuum cleaner with any foreign objects. Do not switch the vacuum cleaner on if any of its openings is blocked.
- Do not run over the power cord with the vacuum cleaner while room cleaning to avoid damaging it.
- Do not use the power cord as a handle for carrying the vacuum cleaner; carry it by the handle.
- Regularly clean the dust bin and the filters of the vacuum cleaner.
- After you finish using the vacuum cleaner or before cleaning it, switch the unit off with the on/off button and unplug it.
- When unplugging the vacuum cleaner, hold the power plug and carefully remove it from the mains socket, do

not pull the power cord, as this can lead to its damage and cause a short circuit.

- For children safety reasons do not leave polyethylene bags used as a packaging unattended.

Attention! Do not allow children to play with polyethylene bags or packaging film. **Danger of suffocation!**

- The unit is not intended for usage by children.
- Do not leave children unattended to prevent using the unit as a toy.
- Do not allow children to touch the operating surface, the unit body, the power cord or the power plug during operation of the unit.
- Be especially careful if children or disabled persons are near the operating unit.
- During the unit operation and breaks between operation cycles, place the unit out of reach of children.
- The unit is not intended for usage by physically or mentally disabled persons (including children) or by persons lacking experience or knowledge if they are not under supervision of a person who is responsible for their safety or if they are not instructed by this person on the usage of the unit.
- From time to time check the power cord insulation.
- If the power cord is damaged, it should be replaced by the manufacturer, a maintenance service or similar qualified personnel to avoid danger.
- Do not repair the unit by yourself. Do not disassemble the unit by yourself; if any malfunction is detected, and

after the unit has been dropped, unplug it and apply to the service center.

- To avoid damage, transport the unit in the original package.
- Keep the unit in a dry cool place out of reach of children and disabled persons.

THE UNIT IS INTENDED FOR HOUSEHOLD USE ONLY, DO NOT USE THE UNIT FOR COMMERCIAL OR LABORATORY PURPOSES.

BEFORE THE FIRST USE

After the unit's transportation or storage at negative temperature, unpack it and wait for at least 3 hours before using it.

- Unpack the unit and remove all the packaging materials.
- Keep the original package.
- Read the safety measures and operating recommendations.
- Check the delivery set.
- Examine the unit for damages, in case of damage do not plug it into the mains.
- Make sure that the given specifications of supply voltage of the unit correspond to the specifications of your mains. When the unit is used with the mains with 60 Hz frequency, no additional action is necessary.

USING THE ATTACHMENTS

Floor/carpet brush (1)

When using the brush (1) set the switch (2) to the necessary «FLOOR/CARPET» position.

Parquet flooring attachment (27)

- Use the attachment (27) for cleaning smooth polished parquet or laminate flooring.

Crevice nozzle (28)

- Use the crevice nozzle (28) for cleaning radiators, crevices, spaces between couch cushions and such.

Upholstery / Upholstery Brush (29)

The attachment (29) is intended for cleaning fabric surfaces of upholstered furniture, and for collecting dust from the surface of furniture, while the presence of lint on the brush (29) prevents damage to the polished furniture surface. Place the brush on the attachment (29) during operation.

ASSEMBLING THE VACUUM CLEANER

Attaching and removing the flexible hose (7)

- Insert the flexible hose (7) ending (8) into the air inlet (10) until the locks (9) catch.
- To remove the flexible hose (7), press the locks (9) and detach the ending (8) from the air inlet (10).

Attaching the telescopic pipe (4) and the attachments

- Attach the telescopic extension pipe (4) to the flexible hose handle (5).
- Extend the lower part of the telescopic extension pipe (4) to the required length, having preliminarily pressed the lock (3) (pic. 2).
- Choose the necessary attachment – floor/carpet brush (1), parquet brush (27), narrow brush (28) or combined crevice nozzle (29) and attach it to the telescopic extension pipe (4).
- The crevice tool (28) and the furniture / upholstery brush (29) can be attached to the handle of the flexible hose (5).

ATTENTION!

- Do not use the vacuum cleaner in places where aerosols are used or sprayed and in proximity to highly inflammable liquids, do not use the vacuum cleaner in the places where such liquids are stored.
- The vacuum cleaner is not intended for collecting water or any other liquids; do not use it for collecting burning or smoking cigarettes or cinders.
- Do not use the vacuum cleaner for collecting dust of plaster, concrete, flour or ashes.
- Take sharp objects away from the floor before cleaning to prevent damage to the unit.
- If the suction power of the vacuum cleaner decreases rapidly while cleaning, switch it off immediately, unplug it and check the telescopic pipe (4) or the flexible hose (7) for obstruction. Remove the obstruction, after that you can resume cleaning.

USING THE VACUUM CLEANER

The dust bin (11) is equipped with the cyclonic filter (24) which eliminates garbage and dust from the air, and the inlet filter (25) and the foam filter (26) retain the finest dust particles.

Note: provide that the filter (25) and the foam filter (26) are always clean, because the overall performance of the vacuum cleaner depends on it.

Attention!

Before switching on and using the vacuum cleaner make sure that the cyclonic filter (24), the filters (25, 26), the dust bin (11) and the outlet HEPA filter (19) are installed properly.

- Take the power plug and unwind the power cord to the required length, connect the power plug to the mains socket.
- The yellow mark on the power cord indicates the maximum cord length. Do not pull out the power cord further than the red mark.
- Press the on/off button (16) to switch the vacuum cleaner on.
- While cleaning you can control the suction power using the manual suction power control (6) on the flexible hose handle (5) or by turning the suction power control knob (17).
- After you finish cleaning, switch the vacuum cleaner off by pressing the on/off button (16) and unplug it.

- To wind the power cord, press the button (14); keep a hold of the winding cord with your hand.
- If you have to make a break during the cleaning, switch the vacuum cleaner off by pressing the button (16) and install the brush (1) to the brush storage (15).

ATTENTION!

Before changing the attachments or cleaning the dust bin (11), switch the vacuum cleaner off by pressing the on/off button (16) and unplug it.

CLEANING AND MAINTENANCE

Cleaning the dust bin (11)

- It is recommended to remove garbage and dust from the dust bin (11) after every room cleaning.
- Switch the vacuum cleaner off by pressing the on/off button (16) and unplug it.
- Hold the dust bin handle, press the clamp (13) and remove the dust bin (11) (pic. 1).
- Place the dust bin (11) over a garbage bin.
- Press the clamp (21) and open the bottom lid (20) (pic. 2).
- Remove accumulated dust and garbage from dust bin (11).
- Close the lid (25).
- Install the dust bin (11) back to its place and make sure that the dust bin (11) is fixed properly.

Cleaning the cyclonic filter (24) and the filters (25, 26) installed in the dust bin (11)

- Preliminarily remove dust and garbage from the dust bin (11) as described above.
- Turn the lid (23) counterclockwise and remove it.
- Remove the foam filter (26), remove the inlet filter (25) and the cyclonic filter (24).
- Clean the cyclonic filter (24) from dust and garbage.
- Wash the cyclonic filter (24) under warm water jet and dry it.
- Wash the inlet filter (25) and the foam filter (26) under warm water jet and dry it.
- Do not wash the parts in a dishwashing machine.
- Dry the filter (25, 26) thoroughly.
- Do not dry the filter (25, 26) with a hairdryer or similar appliances.
- Wash the dust bin flask (22), wipe it and dry.
- Insert the cyclonic filter (24) in the flask (22).
- Insert the inlet filter (25) and the foam filter (26) into the cyclonic filter (24).
- Install the lid (23) and turn it clockwise as far as it will go.
- Install the assembled dust bin (11) back to its place, make sure that the dust bin (11) is fixed properly.

Attention! Before assembling and installing the dust bin (11) back to its place make sure that the cyclonic filter (24), the filters (25, 26) and the flask (22) are dry.

Cleaning the outlet HEPA filter (19)

- Switch the vacuum cleaner off and unplug the power cord plug from the mains socket.
- Remove the outlet filter grid (18) turning it clockwise and remove the outlet HEPA filter (19) (pic. 3).
- Wash the outlet HEPA filter (19) and the grid (18) under lukewarm water jet. Do not wash the outlet HEPA filter (19) and the grid (18) in a dishwashing machine.
- Dry the outlet HEPA filter (19) and the grid (18). Do not dry the HEPA filter (19) with a hairdryer or similar appliances.
- Install the outlet HEPA filter (19) back to its place.
- Install the grid (18) back to its place, turn the grid (18) counterclockwise as far as it will go.

Vacuum cleaner body

- Clean the vacuum cleaner body with a soft, slightly damp cloth, and then wipe it dry. Provide that no liquid gets inside the vacuum cleaner body.
- Do not use solvents or abrasives for cleaning the vacuum cleaner body and the attachments.
- Do not immerse the vacuum cleaner body, the power cord and the power plug into water or any other liquids.

OVERHEATING PROTECTION

- If the electric motor gets too hot during the operation, the overheating protection system will be set off.
- If during cleaning the vacuum cleaner has switched off, press the on/off button (16) and unplug the unit.

- Let the vacuum cleaner cool down for 30-40 minutes and switch it on again. The cool-down time can differ from the given value, depending on the room temperature.
- If the vacuum cleaner does not switch on, it may be caused by another malfunction. In this case apply to a service center.

STORAGE

- Before taking the vacuum cleaner away for long storage, clean the vacuum cleaner body, the dust bin (11), the cyclonic filter (24), the filters (25, 26), the dust bin flask (22) and the outlet HEPA filter (19).
- For easy storing of the vacuum cleaner, use the brush storage (15).
- Keep the vacuum cleaner in a dry cool place out of reach of children and disabled persons.

DELIVERY SET

1. Vacuum cleaner with the dust bin and filters installed – 1 pc.
2. Flexible hose – 1 pc.
3. Telescopic extension pipe – 1 pc.
4. Floor/carpet brush – 1 pc.
5. Combined crevice nozzle – 1 pc.
6. Parquet brush - 1 pc.
7. Narrow brush - 1 pc.
8. Instruction manual – 1 pc.

SPECIFICATIONS

- Power supply: 220-240 V ~ 50/60 Hz
- Rated input power: 2000 W
- Suction power: 380 W
- Dust bin capacity: 3.5 l

RECYCLING



To prevent possible damage to the environment or harm to the health of people by uncontrolled waste disposal, after expiration of the service life of the unit or the batteries (if included), do not discard them with usual household waste, but take the unit and the batteries to specialized stations for further recycling.

The waste generated during the recycling of the unit is subject to mandatory collection and consequent recycling in the prescribed manner.

For further information about recycling of this product, apply to the local municipal administration, a household waste recycling service or to the shop where you purchased this product.

The manufacturer reserves the right to change the appearance, design and specifications not affecting the general operation principles of the unit, without prior notice.

The unit operating life is 3 years

The manufacturing date is specified in the serial number.

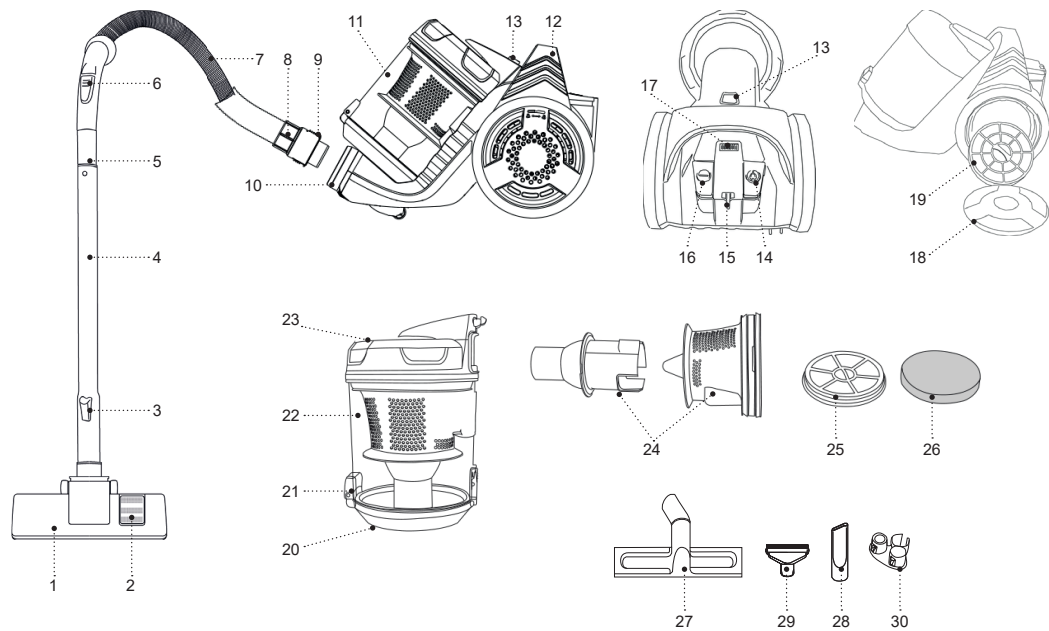
In case of any malfunctions, promptly apply to the authorized service center.

STAUBSAUGER BR4208

Der Staubsauger ist zur Trockenreinigung bestimmt.

BESCHREIBUNG

1. Fußboden-/Teppichbürste
2. «Fußboden/teppich»-Schalter
3. Teleskoprohrarretierung
4. Teleskopverlängerungsrohr
5. Griff des biegsamen Schlauchs
6. Saugleistungshandregler
7. Biegsamer Schlauch
8. Endstück des biegsamen Schlauchs
9. Endstücksperrren
10. Lufteinlassöffnung
11. Staubbehälter
12. Tragegriff
13. Staubbehälter-Sperrtaste
14. Kabelaufwicklungstaste
15. Bürstenaufbewahrungsstelle
16. Ein-/Ausschalttaste des Staubsaugers
17. Saugleistungsregler
18. Auslassfiltergitter
19. HEPA-Filter
20. Unterdeckel des Staubbehälters
21. Staubbehälterunterdeckelverriegelung
22. Staubbehälterkolben
23. Oberdeckel des Staubbehälters
24. Zyklonfilter
25. Einlassfilter
26. Schaumstofffilter
27. Parkettbürste
28. Schmalbürste
29. Bürste zum Reinigen von Möbeln / Polstern
30. Zubehörhalter



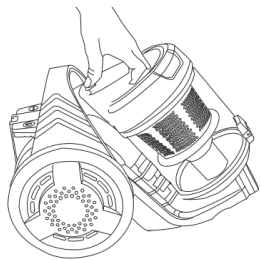


Abb. 1

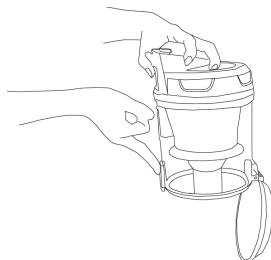


Abb. 2

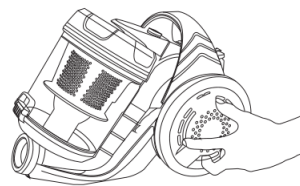


Abb. 3

SICHERHEITSHINWEISE UND BEDIENUNGSANLEITUNG

Bevor Sie den Staubsauger benutzen, lesen Sie die Bedienungsanleitung aufmerksam durch und bewahren Sie sie zum späteren Gebrauch auf.

- Benutzen Sie das Gerät nur bestimmungsmäßig und laut dieser Bedienungsanleitung.
- Missbrauch des Geräts kann zu seiner Störung führen, den Benutzer oder sein Eigentum beschädigen und ist kein Garantiefall.
- Vergewissern Sie sich, dass die auf dem Bezeichnungszettel angegebene Betriebsspannung und die Netzspannung übereinstimmen.
- Um Brandgefahr zu vermeiden, verwenden Sie keine Steckdosenadapter, wenn Sie den Staubsauger an eine Steckdose anschließen.
- Berühren Sie das Staubsaugergehäuse, das Netzkabel und den Netzstecker mit nassen Händen nicht.
- Verwenden Sie den Staubsauger nicht, wenn der Staubbehälter nicht oder falsch aufgestellt ist oder ein Einlass- oder Auslassfilter nicht installiert ist.
- Benutzen Sie nur die mitgelieferten Teile und Aufsätze.
- Lassen Sie das ans Stromnetz angeschlossene Gerät nie unbeaufsichtigt.
- Es ist nicht gestattet, den Staubsauger draußen zu benutzen.
- Es ist nicht empfohlen, das Gerät bei Gewitter zu benutzen.
- Schützen Sie das Gerät vor Stößen, Stürzen, Vibrationen und anderen mechanischen Einwirkungen.
- Benutzen Sie das Gerät in direkter Nähe von Heizgeräten, Wärmequellen oder offenem Feuer nicht.
- Der Staubsauger darf nicht an Orten, an denen Aerosole benutzt oder versprüht werden, und auch in keiner Nähe von brennbaren Flüssigkeiten verwendet werden; verwenden Sie den Staubsauger nicht an Orten, an denen solche Flüssigkeiten aufbewahrt werden.
- Der Staubsauger ist zum Saugen von Wasser oder anderen Flüssigkeiten ungeeignet.
- Es ist verboten, brennende oder rauchende Zigaretten und schwelende Asche zu saugen.
- Es ist verboten, Putz-, Beton-, Mehl- oder Aschenstaub zu saugen.
- Verwenden Sie keinen Staubsauger, um den Pelz der Haustiere zu reinigen.
- Achten Sie beim Raumreinigen darauf, dass sich keine freihängenden Kleidungsstücke, Haar oder andere Körperteile in der Nähe der Lufteinlassöffnungen der Bürsten- oder Aufsätze befinden.
- Bedecken Sie die Einlass- und Auslassöffnung des Staubsaugers mit keinen Fremdkörpern, schalten Sie den Staubsauger nicht ein, wenn eine seiner Öffnungen versperrt ist.
- Um eine Netzkabelbeschädigung zu vermeiden, fahren Sie den Staubsauger während der Reinigung übers Netzkabel nicht.

- Verwenden Sie das Netzkabel als Griff zum Tragen des Staubsaugers nicht, sondern tragen Sie den Staubsauger am Tragegriff.
- Reinigen Sie den Staubbehälter und die Staubsaugerfilter regelmäßig.
- Schalten Sie den Staubsauger nach dem Gebrauch oder vor dem Reinigen mit der Ein-/Ausschalttaste aus und ziehen Sie den Netzstecker aus der Steckdose heraus.
- Wenn Sie den Staubsauger vom Stromnetz abtrennen, halten Sie den Netzstecker fest und ziehen Sie ihn aus der Steckdose vorsichtig heraus; ziehen Sie das Netzkabel nicht, da es zu seiner Beschädigung und einem Kurzschluss führen kann.
- Aus Kindersicherheitsgründen lassen Sie die als Verpackung verwendeten Plastiktüten nie ohne Aufsicht.
- Während des Betriebs und der Pausen zwischen den Betriebszyklen stellen Sie das Gerät an einen für Kinder unzugänglichen Ort auf.
- Das Gerät ist für Personen (darunter Kinder) mit Körper-, Nerven- oder Geistesstörungen oder Personen ohne ausreichende Erfahrung und Kenntnisse nicht geeignet, wenn sie sich unter Aufsicht der Person, die für ihre Sicherheit verantwortlich ist, nicht befinden oder entsprechende Anweisungen über die Gerätenutzung nicht bekommen haben.
- Prüfen Sie die Netzkabelisolierung periodisch.
- Wenn das Netzkabel beschädigt ist, soll es vom Hersteller, vom Kundendienst oder von ähnlich qualifiziertem Personal ersetzt werden, um Gefahren zu vermeiden.
- Es ist nicht gestattet, das Gerät selbständig zu reparieren. Es ist nicht gestattet, das Gerät selbständig auseinanderzunehmen; bei der Feststellung jeglicher Beschädigungen, sowie im Sturzfall, trennen Sie das Gerät vom Stromnetz ab und wenden Sie sich an einen Kundendienst.

Achtung! Lassen Sie Kinder mit Plastiktüten oder Verpackungsfolien nicht spielen. **Erstickungsgefahr!**

- Das Gerät ist nicht für Kinder bestimmt.
- Beaufsichtigen Sie Kinder, damit sie das Gerät als Spielzeug nicht benutzen.
- Lassen Sie Kinder die Arbeitsfläche, das Gerätegehäuse, das Netzkabel oder den Netzstecker während des Gerätebetriebs nicht berühren.
- Besondere Vorsichtsmaßnahmen sind in den Fällen angesagt, wenn sich Kinder oder behinderte Personen während des Gerätebetriebs in der Nähe aufhalten.
- Um Beschädigungen zu vermeiden, transportieren Sie das Gerät nur in der Fabrikverpackung.
- Bewahren Sie das Gerät an einem trockenen, kühlen und für Kinder und behinderte Personen unzugänglichen Ort auf.

DAS GERÄT IST NUR FÜR DEN GEBRAUCH IM HAUSHALT GEEIGNET, ES IST VERBOTEN, DAS GERÄT ZU INDUSTRIE- ODER LABORZWECKEN ZU BENUTZEN.

VOR DER ERSTEN NUTZUNG

Packen Sie das Gerät aus und warten Sie mindestens 3 Stunden, nachdem Sie es bei einer negativen Temperatur transportiert oder bewahrt haben.

- Packen Sie das Gerät aus und entfernen Sie alle Verpackungsmaterialien.
- Bewahren Sie die Originalverpackung auf.
- Lesen Sie die Sicherheitsmaßnahmen und Bedienungsempfehlungen.
- Prüfen Sie den Lieferumfang.
- Prüfen Sie das Gerät auf Beschädigungen; wenn es beschädigt ist, schließen Sie es ans Stromnetz nicht an.
- Vergewissern Sie sich, dass die angegebenen Parameter der Geräteversorgungsspannung und die Stromnetzparameter übereinstimmen. Beim 60-Hz-Stromnetz-Gerätebetrieb sind keine zusätzlichen Maßnahmen erforderlich.

NUTZUNG DER AUFSÄTZE

Fußboden-/Teppichbürste (1)

- Bei Verwendung der Bürste (1) stellen Sie den Schalter (2) in die gewünschte «fußboden/teppich»-Position ein.

Parketaufsatz (27)

- Verwenden Sie den Aufsatz (27) zum Reinigen von glatten Parkett- oder Laminatböden.

Fugendüse (28)

- Verwenden Sie die Fugendüse (28) zum Reinigen von Heizkörpern, Spalten, Räumen zwischen Sofakissen usw.

Polster / Polsterbürste (29)

Die Düse (29) dient zum Reinigen von Stoffoberflächen von Polstermöbeln und zum Sammeln von Staub von der Oberfläche von Möbeln, während das Vorhandensein von Flusen auf der Bürste (29) eine Beschädigung der polierten Möbeloberfläche verhindert. Setzen Sie die Bürste während des Betriebs auf den Aufsatz (29).

ZUSAMMENBAU DES STAUBSAUGERS

Anschließen und Abnehmen des biegsamen Schlauchs (7)

- Setzen Sie das Endstück (8) des biegsamen Schlauchs (7) in die Lufteinlassöffnung (10) bis zum Einrasten der Sperren ein.
- Zum Abnehmen des biegsamen Schlauchs (7) drücken Sie die Sperren (9) und nehmen Sie das Endstück (8) aus der Lufteinlassöffnung (10) heraus.

Anschließen des Teleskoprohrs (4) und der Aufsätze

- Schließen Sie das Teleskopverlängerungsrohr (4) an den Griff des biegsamen Schlauchs (5) an.
- Schieben Sie den Unterteil des Teleskoprohrs (4) auf die notwendige Länge aus, drücken Sie vorher die Arretierung (3).

- Wählen Sie den notwendigen Aufsatz – die Fußboden-/Teppichbürste (1), die Parkettbürste (27), die Schmalbürste (28) oder die Kombifugendüse (29) – und schließen Sie ihn ans Teleskopverlängerungsrohr (4) an.
- Das Spaltwerkzeug (28) und die Möbel- / Polsterbürste (29) können am Griff des flexiblen Schlauchs (5) befestigt werden.

ACHTUNG!

- Der Staubsauger darf an keinen Orten, an denen Aerosole benutzt oder versprüht werden, und auch in keiner Nähe von brennbaren Flüssigkeiten verwendet werden; verwenden Sie den Staubsauger an keinen Orten, an denen solche Flüssigkeiten aufbewahrt werden.
- Der Staubsauger ist zum Saugen von Wasser oder anderen Flüssigkeiten nicht geeignet, es ist verboten, brennende oder rauchende Zigaretten oder schwelende Asche zu saugen.
- Es ist verboten, Putz-, Beton-, Mehl- oder Aschenstaub zu saugen.
- Vor dem Aufräumen nehmen Sie scharfe Gegenstände vom Boden weg, um die Gerätebeschädigung zu vermeiden.
- Wenn die Saugleistung des Staubsaugers während der Reinigung stark abnimmt, schalten Sie ihn sofort aus und ziehen Sie den Netzstecker aus der Steckdose heraus, prüfen Sie das Teleskoprohr (4)

oder den Schlauch (7) auf Verstopfung, entfernen Sie die Verstopfung und dann setzen Sie die Reinigung fort.

NUTZUNG DES STAUBSAUGERS

- In den Staubbehälter (11) ist ein Zyklonfilter (24) eingesetzt, der Schmutz und Staub aus der Eintrittsluft herausfiltert, und das Einlass- (25) und das Schaumstofffilter (26) fangen die kleinsten Staubpartikel schließlich ab.

Anmerkung: prüfen Sie, ob das Einlass- (25) und das Schaumstofffilter (26) sauber sind, denn die Staubsaugereffizienz hängt davon an.

Achtung!

- Prüfen Sie vor dem Einschalten und Verwenden des Staubsaugers, ob das Zyklonfilter (24), die Filter (25, 26), der Staubbehälter (11) und das HEPA-Auslassfilter (19) korrekt aufgestellt sind.
- Fassen Sie den Netzstecker und ziehen Sie das Netzkabel auf die gewünschte Länge heraus, stecken Sie das Netzkabel in eine Steckdose ein.
- Das gelbe Zeichen am Netzkabel zeigt die maximale Netzkabellänge an. Ziehen Sie das Netzkabel übers rote Zeichen nicht heraus.
- Um den Staubsauger einzuschalten, drücken Sie die Ein-/Ausschalttaste (16).
- Während des Aufräumens können Sie die Saugleistung mit dem manuellen Saugleistungsregler (6), der sich am Griff des biegsamen Schlauchs (5) befindet, oder durchs Drehen des Saugleistungsreglers (17) einstellen.

- Schalten Sie den Staubsauger nach dem Aufräumen mit der Ein-/Ausschalttaste (16) aus und ziehen Sie den Netzstecker aus der Steckdose heraus.
- Um das Netzkabel aufzuwickeln, drücken Sie die Taste (14), halten Sie das aufwickelnde Netzkabel zurück.
- Wenn Sie während der Reinigung eine Pause machen möchten, schalten Sie den Staubsauger mit der Taste (16) aus und setzen Sie die Bürste (1) in die Bürstenaufbewahrungsstelle (15) ein.

ACHTUNG! Bevor Sie die Aufsätze wechseln oder den Staubbehälter (11) reinigen, schalten Sie den Staubsauger mit der Ein-/Ausschalttaste (16) aus und ziehen Sie den Netzstecker aus der Steckdose heraus.

REINIGUNG UND PFLEGE

Reinigung des Staubbehälters (11)

- Es ist empfohlen, Staub und Unrat aus dem Staubbehälter (11) nach jeder Reinigung zu entfernen.
- Schalten Sie den Staubsauger mit der Ein-/Ausschalttaste (16) aus, und ziehen Sie den Netzstecker aus der Steckdose heraus.
- Fassen Sie den Griff des Staubbehälters an, drücken Sie die Verriegelung (13) und entfernen Sie den Staubbehälter (11) (Abb. 1).
- Halten Sie den Staubbehälter (11) über dem Abfalleimer.
- Drücken Sie die Verriegelung (21) und machen Sie den unteren Deckel (20) auf (Abb. 2).

- Entfernen Sie Staub und Unrat aus dem Staubbehälter (11).
- Machen Sie den Deckel (20) zu.
- Stellen Sie den Staubbehälter (11) zurück auf und vergewissern Sie sich, dass der Staubbehälter (11) sicher befestigt ist.

Reinigen des Zyklonfilters (24) und der im Staubbehälter (11) eingesetzten Filter (25, 26)

- Reinigen Sie vorerst den Staubbehälter (11) von Staub und Unrat, wie oben beschrieben.
- Drehen Sie den Deckel (23) entgegen dem Uhrzeigersinn und nehmen Sie ihn ab.
- Nehmen Sie das Schaumstofffilter (26), das Einlassfilter (25) und das Zyklonfilter (24) heraus.
- Reinigen Sie das Zyklonfilter (24) von Staub und Schmutz.
- Spülen Sie das Zyklonfilter (24) unter dem Warmwasserstrahl und trocknen Sie es ab.
- Spülen Sie das Einlassfilter (25) und das Schaumstofffilter (26) unter dem Warmwasserstrahl und trocknen Sie sie ab.
- Es ist nicht gestattet, eine Geschirrspülmaschine fürs Spülen der Teile zu benutzen.
- Trocknen Sie das Filter (25, 26) gründlich ab.
- Verwenden Sie keinen Haartrockner oder ähnliche Geräte zum Trocknen des Filters (25, 26).
- Spülen Sie den Kolben des Staubbehälters (22) aus, wischen und trocknen Sie ihn ab.
- Setzen Sie das Zyklonfilter (24) in den Kolben (22) ein.

- Setzen Sie das Einlassfilter (25) und das Schaumstofffilter (26) ins Zyklonfilter (24) ein.
- Stellen Sie den Deckel (23) auf und drehen Sie ihn im Uhrzeigersinn bis zum Anschlag.
- Stellen Sie den zusammengebauten Staubbehälter (11) zurück auf, vergewissern Sie sich, dass der Staubbehälter (11) sicher befestigt ist.

Achtung!

Vergewissern Sie sich vor dem Zusammenbau und Aufstellen des Staubbehälters (11), dass das Zyklonfilter (24), die Filter (25, 26) und der Kolben (22) trocken sind.

Reinigung des HEPA-Auslassfilters (19)

- Schalten Sie den Staubsauger aus und ziehen Sie den Netzstecker aus der Steckdose heraus.
- Entfernen Sie das Auslassfiltergitter (18), indem Sie es im Uhrzeigersinn drehen, nehmen Sie das HEPA-Auslassfilter (19) heraus (Abb. 3).
- Spülen Sie das HEPA-Auslassfilter (19) und das Gitter (18) unter dem lauwarmen Wasserstrahl ab. Reinigen Sie das HEPA-Auslassfilter (19) und das Gitter (18) in keiner Geschirrspülmaschine.
- Trocknen Sie das HEPA-Auslassfilter (19) und das Gitter (18) ab. Verwenden Sie keinen Haartrockner oder ähnliche Geräte zum Trocknen des HEPA-Filters (19).
- Stellen Sie das HEPA-Auslassfilter (19) zurück auf.
- Setzen Sie das Gitter (18) zurück ein und drehen Sie das Gitter (18) entgegen dem Uhrzeigersinn bis zum Anschlag.

Staubsaugergehäuse

- Wischen Sie das Staubsaugergehäuse mit einem leicht angefeuchteten Tuch ab, danach trocknen Sie es ab. Achten Sie darauf, dass keine Flüssigkeit ins Staubsaugergehäuse gelangt.
- Es ist nicht gestattet, Abrasiv- oder Lösungsmittel zur Reinigung des Staubsaugergehäuses zu benutzen.
- Tauchen Sie den Staubsauger, das Netzkabel und den Netzstecker in Wasser oder jegliche andere Flüssigkeiten nicht ein.

ÜBERHITZUNGSSCHUTZ

- Wenn die Betriebstemperatur des Elektromotors überschritten wird, spricht das Überhitzungsschutzsystem an.
- Wenn sich der Staubsauger während des Aufräumens ausschaltet, drücken Sie die Ein-/Ausschalttaste (16) und ziehen Sie das Netzkabel aus der Steckdose heraus.
- Lassen Sie den Staubsauger 30-40 Minuten abkühlen, danach schalten Sie ihn wieder ein. Je nach Raumtemperatur kann die Abkühlzeit des Elektromotors von den angegebenen Werten abweichen.
- Wenn sich der Staubsauger nicht einschalten lässt, kann dies auf eine andere Störung zurückzuführen sein. Wenden Sie sich in diesem Fall an einen Kundendienst.

AUFBEWAHRUNG

- Bevor Sie den Staubsauger zur Langzeitlagerung wegnehmen, reinigen Sie das Staubsaugergehäuse, den Staubbehälter (11), das Zyklonfilter (24), die Filter (25, 26), den Staubbehälterkolben (22) und das HEPA-Auslassfilter (19).
- Zwecks bequemer Aufbewahrung des Staubsaugers benutzen Sie die Bürstenaufbewahrungsstelle (15).
- Bewahren Sie den Staubsauger an einem trockenen, kühlen und für Kinder und behinderte Personen unzugänglichen Ort auf.

LIEFERUMFANG

1. Staubsauger mit eingesetztem Staubbehälter und Filtern – 1 Stk.
2. Biegsamer Schlauch – 1 Stk.
3. Teleskopverlängerungsrohr – 1 Stk.
4. Fußboden-/Teppichbürste – 1 Stk.
5. Kombifugendüse – 1 Stk.
6. Parkettbürste – 1 Stk.
7. Schmalbürste – 1 Stk.
8. Bedienungsanleitung – 1 Stk.

TECHNISCHE EIGENSCHAFTEN

- Stromversorgung: 220-240 V ~ 50/60 Hz
- Nennleistungsaufnahme: 2000 W
- Saugleistung: 380 W
- Fassungsvermögen des Staubbehälters – 3,5 l

ENTSORGUNG



Um möglichen Schaden für die Umwelt oder die menschliche Gesundheit durch unkontrollierte Abfallentsorgung zu vermeiden, werfen Sie das Gerät und die Batterien (falls mitgeliefert) nach Beendigung ihrer Nutzungsdauer

zusammen mit gewöhnlichen Haushaltsabfällen nicht weg, geben Sie das Gerät und die Batterien in Spezialstellen für weitere Entsorgung über.

Die bei der Entsorgung der Erzeugnisse entstehenden Abfälle sind unbedingt zu sammeln und weiter ordnungsmäßig zu entsorgen.

Mehrere Information zur Entsorgung dieses Produkts erhalten Sie bei Ihrer lokalen Stadtverwaltung, einem Abfallentsorgungsdienst oder beim Geschäft, wo Sie dieses Produkt gekauft haben.

Der Hersteller behält sich das Recht vor, das Design, die Konstruktion und die das gemeine Gerätebetriebsprinzip nicht beeinflussenden technischen Eigenschaften ohne Vorbenachrichtigung zu verändern.

Die Gerätenutzungsdauer beträgt 3 Jahre

Das Herstellungsdatum ist in der Fabrikationsnummer angegeben.

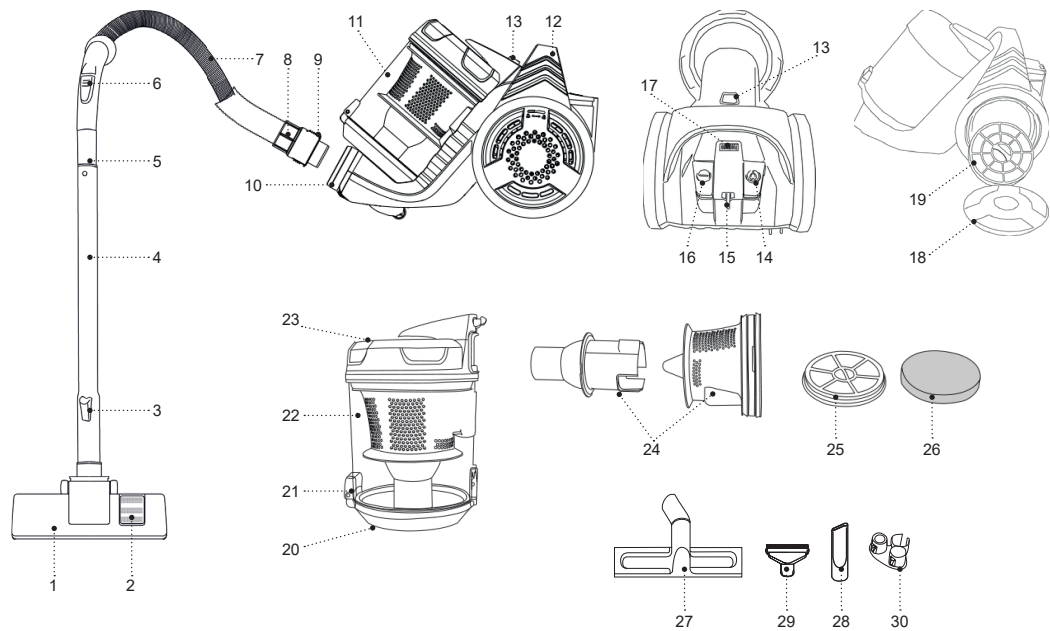
Bei Störungsfeststellung wenden Sie sich baldigst an einen autorisierten Kundendienst.

ПЫЛЕСОС BR4208

Пылесос предназначен для сухой уборки помещений.

ОПИСАНИЕ

1. Щётка для пола/ковровых покрытий
2. Переключатель «пол/ковёр»
3. Фиксатор телескопической трубки
4. Телескопическая удлинительная трубка
5. Ручка гибкого шланга
6. Ручной регулятор мощности всасывания
7. Гибкий шланг
8. Наконечник гибкого шланга
9. Фиксаторы наконечника
10. Воздухозаборное отверстие
11. Контейнер-пылесборник
12. Ручка для переноски
13. Клавиша фиксатора контейнера-пылесборника
14. Клавиша сматывания сетевого шнура
15. Место «парковки» щётки
16. Клавиша включения/выключения пылесоса
17. Регулятор мощности всасывания
18. Решётка выходного фильтра
19. HEPA-фильтр
20. Нижняя крышка контейнера-пылесборника
21. Фиксатор нижней крышки контейнера-пылесборника
22. Колба контейнера-пылесборника
23. Верхняя крышка контейнера-пылесборника
24. Циклонический фильтр
25. Входной фильтр
26. Поролоновый фильтр
27. Паркетная щётка
28. Щелевая насадка
29. Щётка для чистки мебели/мебельной обивки
30. Держатель насадок



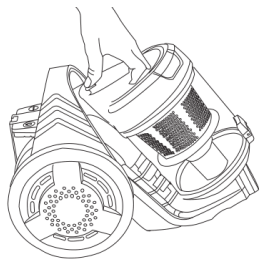


Рис. 1

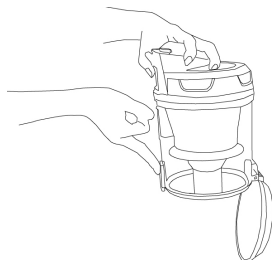


Рис. 2

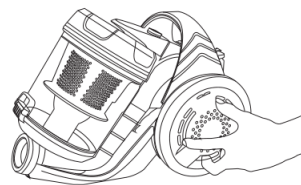


Рис. 3

МЕРЫ БЕЗОПАСНОСТИ И РЕКОМЕНДАЦИИ ПО ЭКСПЛУАТАЦИИ

Перед использованием пылесоса внимательно ознакомьтесь с руководством по эксплуатации, после прочтения сохраните его для использования в будущем.

- Используйте устройство только по его прямому назначению, как изложено в данной инструкции.
- Неправильное обращение с устройством может привести к его поломке, причинению вреда пользователю или его имуществу и не является гарантийным случаем.
- Убедитесь, что рабочее напряжение устройства, указанное на этикетке, соответствует напряжению электросети.
- Во избежание риска возникновения пожара не используйте переходники при подключении пылесоса к электрической розетке.
- Не прикасайтесь к корпусу пылесоса, к шнуру питания и к вилке шнура питания мокрыми руками.
- Запрещается использовать пылесос, если не установлен или неправильно установлен контейнер-пылесборник, не установлен входной или выходной фильтр.
- Используйте только детали и насадки, которые входят в комплект поставки.
- Не оставляйте устройство, включённое в сеть, без присмотра.
- Запрещается использовать пылесос вне помещений.
- Не рекомендуется использовать устройство во время грозы.
- Оберегайте устройство от ударов, падений, вибраций и иных механических воздействий.
- Не используйте устройство в непосредственной близости от нагревательных приборов, источников тепла или открытого пламени.
- Запрещается использовать пылесос в местах, где используются или распыляются аэрозоли, а также вблизи от легковоспламеняющихся жидкостей, запрещается использовать пылесос в местах хранения таких жидкостей.
- Пылесос не предназначен для сбора воды или любых других жидкостей.
- Запрещается собирать горячие или дымящиеся сигареты, тлеющий пепел.
- Запрещается собирать пыль от штукатурки, бетона, муки или золы.
- Не используйте пылесос для чистки шерсти домашних животных.
- Во время уборки помещения следите за тем, чтобы свободно висящие элементы одежды, волосы или другие части тела не находились рядом с воздухозаборным отверстием щётки или насадок.
- Запрещается закрывать входное и выходное отверстие пылесоса посторонними предметами, не включайте пылесос, если какое-либо из его отверстий заблокировано.

- Во избежание повреждения шнура питания, запрещается во время уборки помещения переезжать пылесосом через шнур питания.
- Запрещается использовать шнур питания в качестве ручки для переноски пылесоса, переносите пылесос, взявшись за ручку для переноски.
- Проводите регулярную чистку контейнера-пылесборника и фильтров пылесоса.
- После использования или перед чисткой выключите пылесос клавишей включения/выключения и выньте вилку шнура питания из электрической розетки.
- При отключении пылесоса от электрической сети держитесь за вилку шнура питания и аккуратно выньте её из электрической розетки, не тяните за шнур питания – это может привести к его повреждению и вызвать короткое замыкание.
- Из соображений безопасности детей не оставляйте полиэтиленовые пакеты, используемые в качестве упаковки, без надзора.
- Будьте особенно внимательны, если поблизости от работающего устройства находятся дети или лица с ограниченными возможностями.
- Во время работы и в перерывах между рабочими циклами размещайте устройство в местах, недоступных для детей.
- Прибор не предназначен для использования лицами (включая детей) с пониженными физическими, психическими или умственными способностями, или при отсутствии у них опыта или знаний, если они не находятся под контролем или не проинструктированы лицом, ответственным за их безопасность, об использовании прибора.
- Периодически проверяйте состояние изоляции шнура питания.
- При повреждении шнура питания его замену, во избежание опасности, должны производить изготовитель, сервисная служба или подобный квалифицированный персонал.
- Запрещается самостоятельно ремонтировать устройство. Не разбирайте устройство самостоятельно, при возникновении любых неисправностей, а также после падения устройства отключите его от электросети и обратитесь в сервисный центр.
- Во избежание повреждений перевозите устройство в заводской упаковке.
- Храните устройство в сухом прохладном месте, недоступном для детей и людей с ограниченными возможностями.

Внимание! Не разрешайте детям играть с полиэтиленовыми пакетами или упаковочной плёнкой.

Опасность удушья!

- Устройство не предназначено для использования детьми.
- Осуществляйте надзор за детьми, чтобы не допустить использования устройства в качестве игрушки.
- Не разрешайте детям прикасаться к корпусу устройства, к шнуру питания или к вилке шнура питания во время работы устройства.

УСТРОЙСТВО ПРЕДНАЗНАЧЕНО ТОЛЬКО ДЛЯ БЫТОВОГО ИСПОЛЬЗОВАНИЯ, ЗАПРЕЩАЕТСЯ ИСПОЛЬЗОВАТЬ УСТРОЙСТВО В КОММЕРЧЕСКИХ ИЛИ ЛАБОРАТОРНЫХ ЦЕЛЯХ.

ПЕРЕД ПЕРВЫМ ИСПОЛЬЗОВАНИЕМ

После транспортировки или хранения устройства при отрицательной температуре, распакуйте его и подождите не менее 3 часов перед использованием.

- Распакуйте устройство и удалите все упаковочные материалы.
- Сохраните заводскую упаковку.
- Ознакомьтесь с мерами безопасности и рекомендациями по эксплуатации.
- Проверьте комплектацию.
- Осмотрите устройство на наличие повреждений, при наличии повреждений не включайте его в электрическую сеть.
- Убедитесь, что указанные параметры напряжения питания устройства соответствуют параметрам электрической сети. При использовании устройства в электрической сети частотой 60 Гц, никаких дополнительных действий не требуется.

ИСПОЛЬЗОВАНИЕ НАСАДОК

Щётка для пола/ковровых покрытий (1)

- При использовании щётки (1), установите переключатель (2) в необходимое положение «пол/ковёр».

Щётка для чистки мебели/ мебельной обивки (29)

- Насадка (29) предназначена для чистки тканевых поверхностей мягкой мебели, и для сбора пыли с поверхности мебели, при этом наличие ворса на щётке (29) препятствует повреждению полированной поверхности мебели. Во время работы установите щётку на насадку (29).

СБОРКА ПЫЛЕСОСА

Присоединение и снятие гибкого шланга (7)

- Вставьте наконечник (8) гибкого шланга (7) в воздухозаборное отверстие (10) до срабатывания фиксаторов (9).
- Для снятия гибкого шланга (7) нажмите на фиксаторы (9) и выньте наконечник (8) из воздухозаборного отверстия (10).

Присоединение телескопической трубки (4) и насадки

- Присоедините телескопическую удлинительную трубку (4) к ручке гибкого шланга (5).
- Выдвиньте нижнюю часть телескопической трубки (4) на необходимую длину, предварительно нажав на фиксатор (3).
- Выберите необходимую насадку – щётку для пола/ковровых покрытий (1), паркетную щётку (27), узкую щётку (28) или щётку для чистки мебели/мебельной обивки (29) и подсоедините её к телескопической удлинительной трубке (4).

- Щелевую насадку (28) щётку для чистки мебели/ мебельной обивки (29) можно присоединять к ручке гибкого шланга (5).

ВНИМАНИЕ!

- Запрещается использовать пылесос в местах, где используются или распыляются аэрозоли, а также вблизи от легковоспламеняющихся жидкостей, запрещается использовать пылесос в местах хранения таких жидкостей.
- Пылесос не предназначен для сбора воды или любых других жидкостей, запрещается собирать горящие или дымящиеся сигареты, тлеющий пепел.
- Запрещается собирать пыль от штукатурки, бетона, муки или золы.
- Перед началом уборки уберите с пола острые предметы, чтобы не допустить повреждения устройства.
- Если во время уборки резко снизилась всасывающая мощность пылесоса, немедленно выключите его и выньте вилку шнура питания из электрической розетки, проверьте телескопическую трубку (4) или шланг (7) на предмет засорения, устранив засор, и только после этого можно продолжать уборку.

ИСПОЛЬЗОВАНИЕ ПЫЛЕСОСА

- В контейнере-пылесборнике (11) установлен циклонический фильтр (24), который отсеивает мусор и пыль из входящего воздуха, а входной фильтр (25)

и поролоновый фильтр (26), окончательно задерживают самые мелкие частицы пыли.

Примечание: всегда следите за чистотой фильтра (25) и поролонового фильтра (26), поскольку от этого зависит эффективность работы пылесоса.

Внимание!

Перед включением и использованием пылесоса проверьте правильность установки НЕРА- циклонического фильтра (24), фильтров (25, 26), контейнера-пылесборника (11), а также выходного НЕРА-фильтра (19).

- Возьмитесь за вилку шнура питания и вытяните шнур питания на необходимую длину, вставьте вилку шнура питания в электрическую розетку.
- Жёлтая метка на шнуре питания предупреждает о максимальной длине сетевого шнура. Запрещается вытягивать шнур питания дальше красной метки.
- Для включения пылесоса нажмите на клавишу включения/выключения (16).
- Во время уборки Вы можете регулировать мощность всасывания с помощью ручного регулятора мощности всасывания (6), расположенного на ручке гибкого шланга (5) или поворотом ручки регулятора мощности всасывания (17).
- По окончании уборки выключите пылесос, нажав на клавишу включения/выключения (16), выньте вилку шнура питания из электрической розетки.

- Для сматывания сетевого шнура нажмите на клавишу (14), во время сматывания шнура питания, придерживайте его.
- Если во время уборки необходимо сделать перерыв, выключите пылесос нажав на клавишу (16), установите щётки (1) в место «парковки» щётки (15).

ВНИМАНИЕ!

Перед сменой насадок или чисткой контейнера-пылесборника (11), выключите пылесос, нажав на клавишу включения/выключения (16), выньте вилку шнура питания из электрической розетки.

ЧИСТКА И УХОД

Чистка контейнера-пылесборника (11)

- Рекомендуется удалять пыль и мусор из контейнера-пылесборника (11) после каждой уборки помещения.
- Выключите пылесос, нажав на клавишу включения/выключения (16), выньте вилку шнура питания из электрической розетки.
- Возьмитесь за ручку контейнера-пылесборника, нажмите на фиксатор (13) и снимите контейнер-пылесборник (11) (рис. 1).
- Расположите контейнер-пылесборник (11) над мусорным ведром.
- Нажмите на фиксатор (21) и откройте нижнюю крышку (20) (рис. 2).

- Удалите пыль и мусор из контейнера-пылесборника (11).
- Закройте крышку (20).
- Установите контейнер-пылесборник (11) на место, убедитесь в надёжной фиксации контейнера-пылесборника (11).

Чистка циклонического фильтра (24) и фильтров (25, 26), установленных в контейнере-пылесборнике (11)

- Предварительно очистите контейнер-пылесборник (11) от пыли и мусора, как описано выше.
- Поверните крышку (23) против часовой стрелки и снимите её.
- Выньте поролоновый фильтр (26), выньте входной фильтр (25), выньте циклонический фильтр (24).
- Очистите циклонический фильтр (24) от пыли и мусора.
- Промойте циклонический фильтр (24) под струёй теплой воды и просушите.
- Промойте входной фильтр (25) и поролоновый фильтр (26) под струей теплой воды и просушите.
- Не используйте для промывки деталей посудомоечную машину.
- Тщательно просушите фильтры (25, 26).
- Запрещается для сушки фильтров (25, 26) использовать фен или другие подобные устройства.
- Промойте колбу контейнера-пылесборника (22), вытрите её и просушите.
- Вставьте циклонический фильтр (24) в колбу (22).

- Вставьте в циклонический фильтр (24), входной фильтр (25) и поролоновый фильтр (26).
- Установите крышку (23) и поверните её по часовой стрелке до упора.
- Установите собранный контейнер-пылесборник (11) на место, убедитесь, что контейнер-пылесборник (11) надёжно зафиксирован.

Внимание! Перед сборкой и установкой на место контейнера-пылесборника (11), убедитесь, что циклонический фильтр (24), фильтры (25, 26) и колба (22) сухие.

Чистка выходного HEPA-фильтра (19)

- Выключите пылесос и выньте вилку шнура питания из электрической розетки.
- Снимите решётку выходного фильтра (18), повернув её по часовой стрелке, выньте выходной HEPA-фильтр (19) (рис. 3).
- Промойте выходной HEPA-фильтр (19) и решётку (18) под струёй слегка тёплой воды. Не используйте для промывки выходного HEPA-фильтра (19) и решётки (18) посудомоечную машину.
- Просушите выходной HEPA-фильтр (19) и решётку (18). Запрещается для сушки HEPA-фильтра (19) использовать фен или другие подобные устройства.
- Установите выходной HEPA-фильтр (19) на место.
- Установите на место решётку (18), поверните решётку (18) против часовой стрелки до упора.

Корпус пылесоса

- Корпус пылесоса протрите мягкой слегка влажной тканью, после чего вытрите насухо. Не допускайте попадания жидкости внутрь корпуса пылесоса.
- Не используйте для чистки корпуса пылесоса и насадок абразивные чистящие средства или растворители.
- Запрещается погружать корпус пылесоса, шнур питания и вилку шнура питания в воду или любые другие жидкости.

ЗАЩИТА ОТ ПЕРЕГРЕВА

- При превышении рабочей температуры электромотора сработает система защиты от перегрева.
- Если во время уборки пылесос отключился, нажмите клавишу включения/выключения (16), выньте вилку шнура питания из электрической розетки.
- Дайте пылесосу остыть в течение 30-40 минут, после чего включите его снова. В зависимости от температуры воздуха в помещении, время остывания электромотора может отличаться от указанных значений.
- Если пылесос не включается, это может быть связано с другой неисправностью, в этом случае обратитесь в сервисный центр.

ХРАНЕНИЕ

- Перед тем, как убрать пылесос на длительное хранение, проведите чистку корпуса пылесоса, контейнера-пылесборника (11), циклонического фильтра (24),

фильтров (25, 26), колбы контейнера-пылесборника (22) и выходного HEPA-фильтра (19).

- Для удобства при хранении пылесоса используйте место «парковки» щётки (15).
- Храните пылесос в сухом прохладном месте, недоступном для детей и людей с ограниченными возможностями.

КОМПЛЕКТАЦИЯ

1. Пылесос с установленным контейнером-пылесборником и фильтрами – 1 шт.
2. Гибкий шланг – 1 шт.
3. Телескопическая удлинительная трубка – 1 шт.
4. Щётка для пола/ковровых покрытий – 1 шт.
5. Комбинированная щелевая насадка – 1 шт.
6. Паркетная щётка – 1шт.
7. Узкая щётка -1 шт.
8. Инструкция – 1 шт.

ТЕХНИЧЕСКИЕ ХАРАКТЕРИСТИКИ

- Электропитание: 220-240 В ~ 50/60 Гц
- Номинальная потребляемая мощность: 2000 Вт
- Мощность всасывания: 380 Вт
- Объём пылесборника: 3,5 л

УТИЛИЗАЦИЯ



Чтобы предотвратить возможный вред окружающей среде или здоровью людей от неконтролируемой утилизации отходов, после окончания срока службы устройства или элементов питания (если входят в комплект), не выбрасывайте их вместе с обычными бытовыми отходами, передайте прибор и элементы питания в специализированные пункты для дальнейшей утилизации.

Отходы, образующиеся при утилизации изделий, подлежат обязательному сбору с последующей утилизацией в установленном порядке.

Для получения дополнительной информации об утилизации данного продукта обратитесь в местный муниципалитет, службу утилизации бытовых отходов или в магазин, где Вы приобрели данный продукт.

Производитель сохраняет за собой право изменять дизайн, конструкцию и технические характеристики, не влияющие на общие принципы работы устройства, без предварительного уведомления.

Срок службы устройства – 3 года

Дата производства указана в серийном номере.

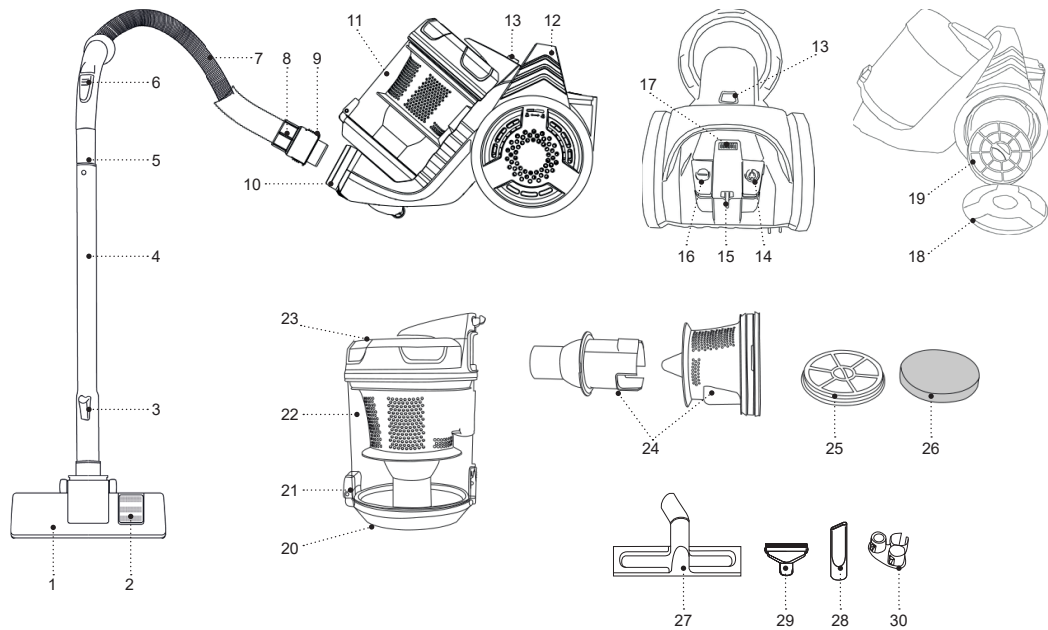
В случае обнаружения каких-либо неисправностей необходимо обратиться в авторизованный сервисный центр.

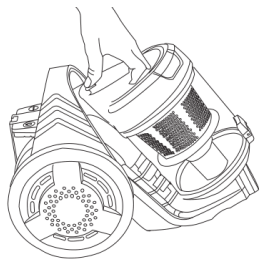
ШАҢСОРҒЫШ BR4208

Шаңсорғыш үй-жайларды құрғақ жинастыруға арналған.

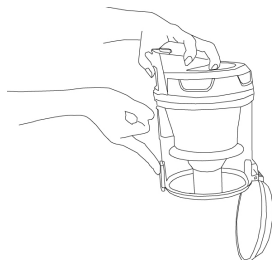
СИПАТТАМАСЫ

1. Еденге/кілем жабындыларына арналған қылшақ
2. «еден/кілем» ауыстырғышы
3. Телескопты түтік бекіткіші
4. Телескопиялық ұзартқыш түтік
5. Иілгіш құбыршектің сабы
6. Сорғызу қуатының қолмен реттегіші
7. Иілгіш құбыршек
8. Иілгіш құбыршек ұштамасы
9. Ұштама бекіткіші
10. Ауатартқыш саңылау
11. Шаңжинағыш-контейнер
12. Тасымалдауға арналған сап
13. Шаңжинағыш-контейнер бекіткішінің пернесі
14. Желі бауын орау пернесі
15. Қылшақтың «тұрақ» орны
16. Шаңсорғышты қосу/сөндіру пернесі
17. Сору қуаттылығының реттегіші
18. Шығу сүзгісінің торы
19. HEPA-сүзгісі
20. Шаңжинағыш-контейнердің төменгі қақпағы
21. Шаңжинағыш-контейнердің төменгі қақпағының бекіткіші
22. Шаңжинағыш-контейнердің құтысы
23. Шаңжинағыш-контейнердің жоғарғы қақпағы
24. Циклондық сүзгіш
25. Кіру сүзгісі
26. Поролон сүзгіш
27. Паркеттік қылшақ
28. Жіңішке қылшақ
29. Жиһазды / қаптаманы тазалауға арналған щетка
30. Аксессуар ұстағыш

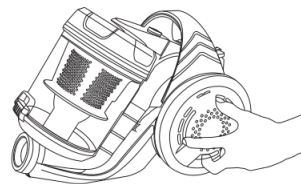




Cyp. 1



Cyp. 2



Cyp. 3

ҚАУІПСІЗДІК ШАРАЛАРЫ ЖӘНЕ ҚОЛДАНУҒА БЕРУ ЖӨНІНДЕГІ НҰСҚАУЛЫҚ

Шаңсорғышты пайдалану алдында қолдану жөніндегі басшылықты мұқият оқып шығыңыз, оқыған соң, болашақта пайдалану үшін сақтап қойыңыз.

- Құрылғыны осы нұсқаулықта баяндалғандай, оның тікелей мақсаты бойынша ғана пайдаланыңыз.
- Құрылғыны дұрыс қолданбау оның бұзылуына, және пайдаланушыға немесе оның мүлкіне зиян келтіруге әкелуі мүмкін және кепілдік жағдайы болып табылмайды.
- Заттаңбада көрсетілген құрылғының жұмыс кернеуі электр желісінің кернеуіне сәйкес екеніне көз жеткізіңіз.
- Өрт шығу қаупін болдырмау үшін шаңсорғышты электр розеткасына қосарда ауыстырғыштарды пайдаланбаңыз.
- Шаңсорғыш корпусын, қуаттандыру бауын және қуаттандыру бауының ашасын су қолмен ұстамаңыз.
- Егер шаңжинағыш-контейнер орнатылмаса немесе дұрыс орнатылмаса, кіру немесе шығу сүзгісі орнатылмаса, шаңсорғышты пайдалануға тыйым салынады.
- Жеткізілім жиынтығына кіретін қондырмалар мен детальдарды ғана пайдаланыңыз.
- Желіге қосылған құрылғыны, қараусыз қалдырмаңыз.
- Шаңсорғышты үй-жайдан тыс жерде пайдалануға тыйым салынады.
- Найзағай кезінде құрылғыны пайдалану ұсынылмайды.
- Құрылғыны соққыдан, құлаудан, дірілден және басқа да механикалық әсерлерден сақтаңыз.
- Құрылғыны жылыту аспаптарының, ашық оттың немесе жылу көздерінің тікелей жанында пайдаланбаңыз.
- Шаңсорғышты аэрозольдар пайдаланылатын немесе шашырайтын жерлерде, сондай-ақ тез тұтанатын сұйықтықтарға жақын жерлерде пайдалануға тыйым салынады, мұндай сұйықтықтарды сақтау орындарында шаңсорғышты пайдалануға тыйым салынады.
- Шаңсорғыш суды немесе кез келген басқа сұйықтықтарды жинауға арналмаған.
- Жанып жатқан немесе түтіндеп жатқан темекіні, бықсыған күлді жинауға тыйым салынады.
- Сылақтың, бетонның, ұнның немесе күлдің шаңын жинауға тыйым салынады.
- Үй жануарларының жүнін тазалау үшін шаңсорғышты пайдаланбаңыз.
- Үй-жайды жинау кезінде киімнің еркін салбырап тұрған элементтері, шаштар немесе дененің басқа да бөліктері қылшақтың немесе қондырмалардың ауа тартқыш тесігінің жанында болмауын қадағалаңыз.
- Шаңсорғыштың кіру және шығу тесігін бөгде заттармен жабуға тыйым салынады, егер оның қандай да бір тесіктері бұғатталса, шаңсорғышты қоспаңыз.
- Қуаттандыру бауының зақымдануын болдырмау үшін үй-жайды жинау кезінде қуаттандыру бауының үстінен шаңсорғышпен жүріп өтуге тыйым салынады.
- Шаңсорғышты тасымалдауға арналған сап ретінде қуаттандыру бауын пайдалануға тыйым салынады,

шаңсорғышты тасымалдауға арналған саптан ұстап тасымалдаңыз.

- Шаңжинағыш-контейнер мен шаңсорғыш сүзгілерін мезгілімен тазалап отырыңыз.
- Қолданғаннан кейін немесе тазалау алдында қосу/ өшіру пернесі арқылы шаңсорғышты өшіріңіз және электр розеткасынан қуаттандыру бауының ашасын суырыңыз.
- Шаңсорғышты электр желісінен ажыратқан кезде тек қуаттандыру бауының ашасынан ұстаңыз және оны электр розеткасынан абайлап суырыңыз, қуаттандыру бауынан тартпаңыз – бұл оның зақымдануына әкеліп, қысқа тұйықталуын тудыруы мүмкін.
- Балалардың қауіпсіздігі үшін қаптама ретінде пайдаланылатын полиэтилен пакеттерді қадағалаусыз қалдырмаңыз.

Назар аударыңыз! Балаларға полиэтилен қаптармен немесе қаптамалық үлдірмен ойнауға рұқсат етпеңіз. **Тұншығу қаупі бар!**

- Құрылғы балалардың пайдалануына арналмаған.
- Құрылғыны ойыншық ретінде пайдалануға жол бермеу үшін балаларды қадағалаңыз.
- Балаларға жұмыс істеп тұрған құрылғының жұмыс бетіне, корпусына, қуаттандыру бауы немесе қуаттандыру бауының ашасына қол тигізуіне рұқсат етпеңіз.
- Егер жұмыс істеп тұрған құрылғының маңында балалар немесе мүмкіндіктері шектеулі адамдар болса, онда ерекше назарда болыңыз.

- Жұмыс істеу уақытында және жұмыс циклдері арасындағы үзілістерде құрылғыны балалардың қолы жетпейтін жерде орналастырыңыз.
- Дене, жүйке немесе сана мүмкіндіктері төмендетілген тұлғалардың (балаларды қоса) немесе оларда тәжірибесі немесе білімі болмаса, егер олар бақыланбаса немесе олардың қауіпсіздігі үшін жауап беретін тұлғамен аспапты пайдалану туралы нұсқаулықтар берілген болмаса, аспап олардың пайдалануына тағайындалмаған.
- Қуаттандыру бауы оқшаулануының күйін мезгілімен тексеріп отырыңыз.
- Қуаттандыру бауы зақымданғанда қауіп тудырмау үшін оны дайындаушы, сервистік қызмет немесе баламалы білікті маман ауыстыруы тиіс.
- Құрылғыны өздігіңізден жөндеуге тыйым салынады. Құрылғыны өздігіңізден бөлшектемеңіз, кез- келген ақаулықтар пайда болғанда, сондай-ақ құрал құлаған болса оны электр желісінен ажыратыңыз және сервис орталығына жүгініңіз.
- Зақымдануларға жол бермеу үшін құрылғыны тек зауыттық қаптамада тасымалдаңыз.
- Құрылғыны салқын және құрғақ, балалардың және мүмкіндігі шектеулі адамдардың қолы жетпейтін жерде сақтаңыз.

ҚҰРЫЛҒЫ ТЕК ТҰРМЫСТЫҚ ПАЙДАЛАНУҒА АРНАЛҒАН, ҚҰРЫЛҒЫНЫ КОМЕРЦИЯЛЫҚ НЕМЕСЕ ЗЕРТХАНАЛЫҚ МАҚСАТТАРДА ПАЙДАЛАНУҒА ТЫЙЫМ САЛЫНАДЫ.

АЛҒАШ РЕТ ПАЙДАЛУ АЛДЫНДА

Құрылғыны төмен температурада тасымалдағаннан кейін немесе сақтаған болсаңыз, оны қаптамдан шығарыңыз және пайдалану алдында 3 сағаттан кем емес уақыт күтіңіз.

- Құрылғыны қаптамдан шығарыңыз және барлық қаптама материалдарын жойыңыз.
- Зауыт қаптамасын сақтап қойыңыз.
- Қауіпсіздік шаралары мен пайдалану нұсқауларымен танысыңыз.
- Жинақталымын тексеріңіз.
- Құрылғыны зақымдануына қатысты тексеріп алыңыз, зақымдануы болған жағдайда оны электр желіге қоспаңыз.
- Құрылғыда көрсетілген қуаттандыру кернеуі параметрлері электр желісінің параметрлеріне сәйкес келетініне көз жеткізіңіз. Құрылғыны 60 Гц жиіліктегі электр желісінде пайдаланғанда, ешқандай қосымша әрекет қажет емес.

ҚОНДЫРМАЛАРДЫ ПАЙДАЛАНУ

Еденге/кілем жабындарына арналған қылшақ (1)

- Қылшақты (1) пайдаланған кезде, ауыстырғышты (2) қажетті «еден/кілем» күйіне орнатыңыз.

Паркетке арналған қондырма (27)

- Тегіс паркетті немесе ламинатталған едендерді тазалаға арналған қондырманы (27) пайдаланыңыз.

Саңылаулық қондырма (28)

- Радиаторларды, саңылауларды, диван жастықшалары арасындағы кеңістікті және т. б. тазарту үшін саңылаулық қондырманы (28) пайдаланыңыз.

Қаптау / Қаптау Қылқаламы (29)

Саптама (29) жұмсақ жиһаздың мата беттерін тазартуға және жиһаздың бетінен шаң жинауға арналған, ал қылшықта (29) қылшықтың болуы жылтыратылған жиһаз бетінің бұзылуына жол бермейді. Жұмыс кезінде қылшақты қондырмаға қойыңыз (29).

ШАҢСОРҒЫШТЫ ЖИНАУ

Иілгіш құбыршекті (7) қосу және шешу

- Иілгіш құбыршектің (7) ұштамасын (8) ауатартқыш саңылауға (10) бекіткіштер (9) іске қосылғанға дейін тығыңыз.
- Иілгіш құбыршекті (7) шешу үшін бекіткіштерге (9) басыңыз және ұштаманы (8) ауатартқыш саңылауынан (10) шығарыңыз.

Телескопиялық түтікті (4) және қондырмаларды қосу

- Телескопиялық ұзартқыш түтікті (4) иілгіш құбыршектің сабына (5) қосыңыз.
- Алдын-ала бекіткішке (3) басып, телескопиялық түтіктің (4) төменгі бөлігін қажетті ұзындыққа шығарыңыз.
- Қажетті қондырманы – еденге/кілем жабындыларына (1) арналған қылшақты, паркеттік қылшақты (27), жіңішке қылшақты (28) немесе құрамдастырылған

саңылаулық қондырманы (29) таңдаңыз және оны телескопиялық ұзартқыш құбыршасына (4) қосыңыз.

- Саңылаулар құралы (28) мен жиһаз / қаптау щеткасы (29) икемді шлангтың сабына (5) бекітілуі мүмкін.

HA3AP AУAAPЫҢЫЗ!

- Шаңсорғышты аэрозольдар пайдаланылатын немесе шашырайтын жерлерде, сондай-ақ тез тұтанатын сұйықтықтарға жақын жерлерде пайдалануға тыйым салынады, мұндай сұйықтықтарды сақтау орындарында шаңсорғышты пайдалануға тыйым салынады.
- Шаңсорғыш суды немесе кез келген басқа сұйықтықтарды жинауға арналмаған, жанып жатқан немесе түтіндеп жатқан темекіні, бықсыған күлді жинауға тыйым салынады.
- Сылақтың, бетонның, ұнның немесе күлдің шаңын жинауға тыйым салынады.
- Жинауды бастамас бұрын еденнен құрылғының бүлінуіне жол бермеу үшін, үшкір заттарды алып тастаңыз.
- Егер жинау кезінде шаңсорғыштың сору қуаты күрт төмендесе, оны дереу өшіріңіз және электр розеткасынан қуаттандыру бауының ашасын суырыңыз, телескопиялық түтікті (4) немесе құбыршекті (7) қоқыстануына қатысты тексеріңіз, қоқыстарды тазалаңыз, содан кейін ғана жинауды жалғастыруға болады.

ШАҢСОРҒЫШТЫ ПАЙДАЛАНУ

- Шаңжинағыш-контейнерге (11) кіретін ауадан шаң мен қоқысты елеп отыратын циклондық сүзгіш (24) орнатылған, ал кіріс сүзгіш (25) пен поролондық сүзгіш (26) соңында ең кішкене шаң бөлшектерін біржолата ұстап қалады.

Ескөртпе: үнемі сүзгіш (25) пен поролондық сүзгіштің (26) тазалығын қадағалаңыз, себебі оған шаңсорғыш жұмысының нәтижелілігі байланысты болады.

Назар аударыңыз!

Шаңсорғышты қосу және пайдалану алдында циклондық сүзгіштің (24), сүзгіштердің (25, 26), шаңжинағыш-контейнердің (11), сондай-ақ шығыс HEPA-сүзгіштің (19) дұрыс орнатылуын тексеріңіз.

- Қуаттандыру бауының ашасын ұстаңыз және қуаттандыру бауын қажетті ұзындыққа тартыңыз, қуаттандыру бауының ашасын электр розеткасына салыңыз.
- Желі бауындағы сары белгі желі бауының максималды ұзындығы екенін ескертеді. Қуаттандыру бауын қызыл белгіден артыққа тартуға тыйым салынады.
- Шаңсорғышты қосу үшін қосу/өшіру (16) пернесіне басыңыз.
- Жинау барысында сіз сору қуатын иілгіш құбыршектің сабында (5) орналасқан, сору қуаттылығының қол реттегішінің (6) көмегімен немесе сору қуаттылығы реттегіштің сабын (17) бұру арқылы реттей аласыз.
- Жинау аяқталғаннан кейін шаңсорғышты өшіріңіз, қосу/өшіру (16) пернесін басып, электр розеткасынан

- қуаттандыру бауының ашасын шығарыңыз.
- Желі бауын орау үшін пернеге (14) басыңыз, қуаттандыру бауының оралуы кезінде оны ұстап отырыңыз.
- Егер жинау кезінде үзіліс жасау қажет болса, шаңсорғышты пернесін (16) басу арқылы өшіріңіз, қылшақты (1) қылшақ «тұрағы» (15) орнына қойыңыз.

НАЗАР АУДАРЫҢЫЗ!

Қондырмаларды ауыстыру немесе шаңжинағыш-контейнерді (11) тазалау алдында, қосу/өшіру (16) пернесін басып, шаңсорғышты өшіріңіз, электр розеткасынан қуаттандыру бауының ашасын суырыңыз.

ТАЗАРТУ ЖӘНЕ КҮТІМІ

Шаңжинағыш-контейнерді (11) тазалау

- Үй-жайды әр жинастырған сайын шаңжинағыш-контейнерден (11) қоқыс пен шаңнан тазарту ұсынылады.
- Қосу/өшіру пернесін (16) басып шаңсорғышты өшіріңіз және қуаттандыру бауының ашасын электр розеткасынан суырыңыз.
- Шаңжинағыш-контейнердің сабынан ұстаңыз, бекіткішті (13) басыңыз және шаңжинағыш-контейнерді (11) шешіп алыңыз (1-сур.).
- Шаңжинағыш-контейнерді (11) қоқыс шелегінің үстінен орналастырыңыз.
- Бекіткішті (21) басыңыз және төменгі қақпақты (20) ашыңыз (2-сур.).

- Шаң мен қоысты шаңжинағыш-контейнерден (11) жойыңыз.
- Қақпақты (20) жабыңыз.
- Шаңжинағыш-контейнерді (11) орнына орнатыңыз, шаңжинағыш-контейнердің (11) сенімді бекітілуіне көз жеткізіңіз.

Циклондық сүзгішті (24) және шаңсорғыш-контейнерде (11) орналасқан сүзгіштерді (25, 26) тазалау

- Жоғарыда сипатталғандай, қоқыс пен шаңнан шаңжинағыш-контейнерді (11) алдын-ала тазалаңыз.
- Қақпақты (23) сағат тіліне қарсы бұраңыз және шешіп алыңыз.
- Поролондық сүзгішті (26) шығарыңыз, кіріс сүзгішті (25) шығарыңыз, циклондық сүзгішті (24) шығарыңыз.
- Циклондық сүзгішті (24) шаң мен қоқыстан тазалаңыз.
- Циклондық сүзгішті (24) жылы судың ағында жуыңыз және кептіріңіз.
- Кіріс сүзгішті (25) және поролондық сүзгішті (26) жылы судың ағында жуыңыз және кептіріңіз.
- Бөлшектерді жуып жіберу үшін ыдыс жуатын машинаны пайдаланбаңыз.
- Сүзгіні (25, 26) мұқият құрғатыңыз.
- Сүзгіні (25, 26) кептіру үшін фен немесе басқа да осындай құрылғыларды пайдалануға тыйым салынады.
- Шаңжинағыш-контейнердің құтысын (22) жуып жіберіңіз және құрғатыңыз.
- Циклондық сүзгішті (24) құтыға (22) салыңыз.

- Циклондық сүзгішке (24) кіріс сүзгішті (25) және поролондық сүзгішті (26) салыңыз.
- Қақпақты (23) орнына орнатыңыз және оны сағат тілі бағытымен тірелгенге дейін бұраңыз.
- Қақпақты (22) бекіткіш (21) іске қосылғанға дейін жабыңыз.
- Жиналған шаңжинағыш-контейнерді (11) орнына орнатып, шаңжинағыш-контейнердің (11) дұрыс орнатылғанына көз жеткізіңіз.

Назар аударыңыз!

Шаңжинағыш-контейнерді (11) жинау және орнына орнату алдында циклондық сүзгіштің (24), сүзгіштердің (25, 26) және құтының (22) құрғақ екеніне көз жеткізіңіз.

Шығыс HEPA-сүзгішті сін (19) тазалау

- Шаңсорғышты сөндіріңіз және қуаттандыру бауының ашасын розеткадан суырыңыз.
- Шығыс сүзгіштің торын (18) шешіп алыңыз, ол үшін оны сағат тілі бағытына бұраңыз, шығыс HEPA- сүзгішті (19) шешіңіз (3-сур.).
- Шығыс HEPA-сүзгішті (19) және торды (18) жылы судың ағынында жуыңыз. Шығыс HEPA-сүзгішті (19) және торды (18) жуу үшін ыдыс жуатын машинаны пайдалануға болмайды.
- Шығыс HEPA-сүзгішті (19) және торды (18) құрғатыңыз. HEPA-сүзгішті (19) кептіру үшін фен немесе басқа да сондай құралдарды пайдалануға тыйым салынады

- Шығыс HEPA-сүзгішті (19) орнына орнатыңыз.
- Торды (18) орнына орнатыңыз, ол үшін торды (18) сағат тіліне қарсы тірелгенге дейін бұраңыз.

Шаңсорғыш корпусы

- Шаңсорғыш корпусын жұмсақ, сәл дымқыл матамен сүртіңіз, содан кейін оны құрғатып
- сүртіңіз. Шаңсорғыш корпусының ішіне сұйықтық тиюіне жол бермеңіз.
- Шаңсорғыш корпусын және қондырмаларын тазалау үшін еріткіштер мен қажайтын тазалағыш заттарды пайдаланбаңыз.
- Шаңсорғыштың корпусын, қуаттандыру бауын және қуаттандыру бауының ашасын
- суға немесе басқа да сұйықтыққа батыруға тыйым салынады.

ҚЫЗЫП КЕТУДЕН ҚОРҒАНЫС

- Жұмыс температурасының жоғарылауы кезінде электр моторының қызып кетуден қорғау жүйесі іске қосылады.
- Егер жұмыс кезінде, шаңсорғыш өшіп қалса, қосу/сөндіру пернесіне (16) басыңыз, желі бауының ашасын электр розеткасынан суырыңыз.
- Шаңсорғышты 30-40 минут суытыңыз, содан кейін қайтадан қосыңыз. Үй-жайдағы ауа температурасына байланысты электр моторының суыту уақыты көрсетілген мәндерден өзгеше болуы мүмкін.

- Егер шаңсорғыш қосылмаса, бұл басқа ақаулықпен байланысты болуы мүмкін, бұл жағдайда сервис орталығына жүгініңіз.

САҚТАЛУЫ

- Шаңсорғышты ұзақ уақытқа сақтауға қоюдың алдында шаңсорғыштың корпусын, шаңсорғыш-контейнерді (11), циклондық сүзгішті (24), сүзгіштерді (25, 26), шаңсорғыш-контейнердің құтысын (22) және шығыс HEPA-сүзгішті (19) тазалау керек.
- Шаңсорғышты сақтау кезінде ыңғайлы болу үшін қылшақтың «тұрақ» орнын (15) пайдаланыңыз.
- Шаңсорғышты салқын және құрғақ, балалардың және мүмкіндігі шектеулі адамдардың қолы жетпейтін жерде сақтаңыз.

ЖИЫНАҚТАЛЫМЫ

1. Сүзгілер мен шаңжинағыш-контейнері орнатылған шаңсорғыш – 1 дн.
2. Иілгіш құбыршек – 1 дн.
3. Телескопиялық ұзартқыш түтік – 1 дн.
4. Еденге/кілем жабындарына арналған қылшақ – 1 дн.
5. Құрамдастырылған саңылаулық қондырма – 1 дн.
6. Паркеттік қылшақ – 1 дана.
7. Жіңішке қылшақ – 1 дана.
8. Нұсқаулық – 1 дн.

ТЕХНИКАЛЫҚ СИПАТТАМАЛАРЫ

- Электр қуаттандыруы: 220-240 В ~ 50/60 Гц
- Номиналдық тұтыну қуаттылығы: 2000 Вт

- Сору қуаты: 380 Вт
- Шаңжинағыш көлемі: 3,5 л

ПАЙДАҒА АСЫРУ

Қалдықтардың бақыланбай пайдаға асыруынан қоршаған ортаға немесе адамдардың денсаулығына зиян келтірмеу үшін, құрылғының немесе қуаттандыру элементтерінің (егер жинақталымға кірсе) қызмет ету мерзімі аяқталғаннан кейін оларды әдеттегі тұрмыстық қалдықтармен бірге тастамаңыз, аспапты және қуаттандыру элементтерін одан әрі пайдаға асыру үшін арнайы пункттерге жіберіңіз.



Бұйымдарды пайдаға асыру кезінде пайда болатын қалдықтар белгіленген тәртіп бойынша келесі пайдаға асырылатын тәртіппен міндетті түрде жинауға жатады.

Берілген өнімді пайдаға асыру туралы қосымша ақпаратты алу үшін жергілікті муниципалитетке, тұрмыстық қалдықтарды пайдаға асыру қызметіне немесе берілген өнімді сіз сатып алған дүкенге жүгініңіз.

Өндіруші алдын-ала ескертусіз, құрылғының дизайнын, конструкциясы мен оның жалпы жұмыс ұстанымдарына әсер етпейтін техникалық сипаттамаларын өзгерту құқығын өзіне қалдырады.

Құрылғының қызмет ету мерзімі – 3 жыл

Өндірілген күні сериялық нөмірде көрсетілген.

Қандай да бір ақаулықтар табылған жағдайда дереу авторландырылған сервистік орталыққа жүгіну керек.

Hergestellt für «Ruste GmbH»,
Berggasse 18/18, 1090 Wien,
Österreich

Produced for «Ruste GmbH»,
Berggasse 18/18, 1090 Vienna, Austria

Изготовлено по заказу Русте Гмбх,
Бергассе 18/18, 1090 Вена, Австрия

Уполномоченное изготовителем
лицо: ООО «Грантэл»
143912, МО, г. Балашиха,
ш. Энтузиастов, вл. 1А
т.: +7 (495) 297-50-20,
e-mail: info@brayer.su

Made in China/Произведено в Китае



brayer.ru

